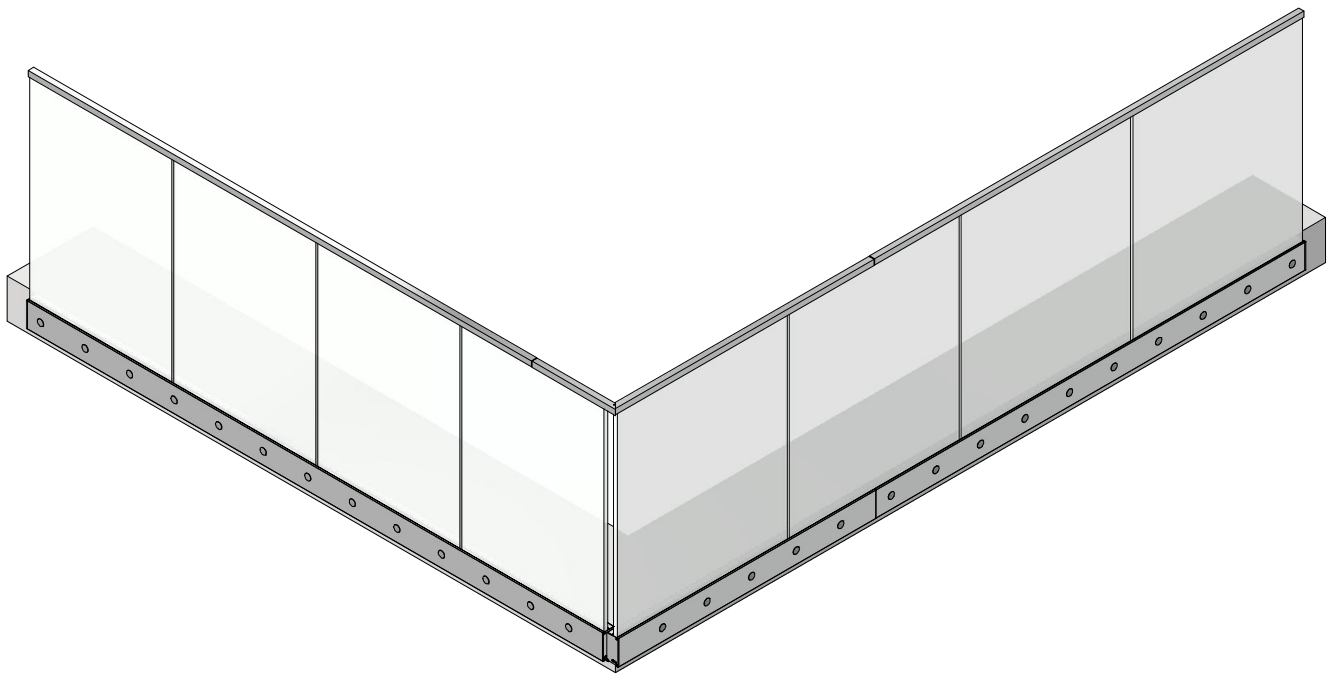
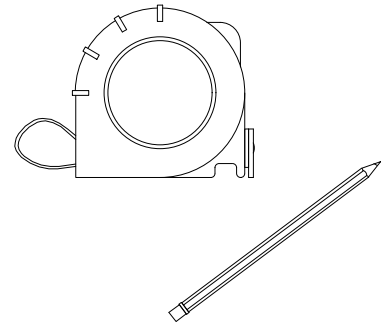
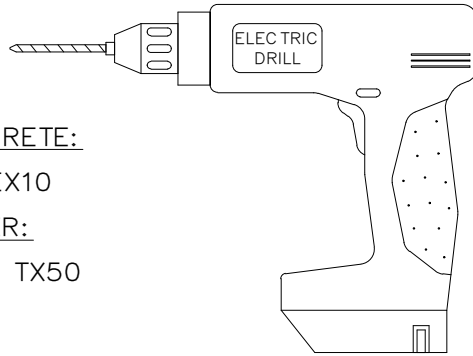


BALCONY RAILING
INSPENT
SIDE
MOUNTED
INSTALLATION MANUAL



NECESSARY AND ADDITIONAL HELPFUL ITEMS FOR INSTALLATION:

Drillbits for CONCRETE:
 SDS plus M10, HEX10
 Drillbits for TIMBER:
 Ø6mm wood drill, TX50

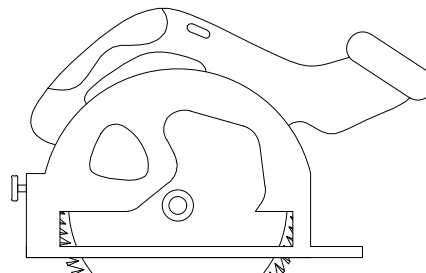


Electric drill for TIMBER
 Hammer drill for CONCRETE

Measuring tape & pencil



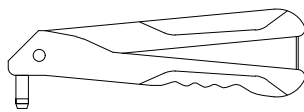
Soapy water spray
 (Optional)



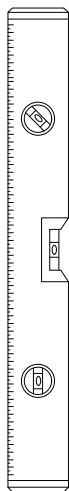
Angular saw
 cold cut



Repair paint
 (Optional)



Riveting pliers



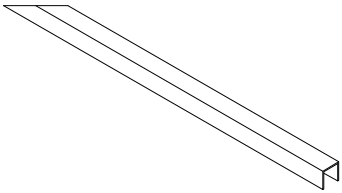
Level

CAUTION

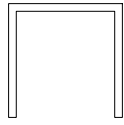
READ THE WHOLE INSTALLATION MANUAL BEFORE STARTING.

- It is easy to scratch and/or break glass panels, handle with care, use cut resistant gloves.
- Railings are powder coated, paint can be damaged if profiles are left on uneven surfaces and not handled properly.
- Balcony railing installations have to follow the requirements set by a country's legislation. Innore takes no responsibility of damage and casualties that have occurred due to non-compliant installation.
- Do not install during windy weather conditions. Glass railings are heavy in weight and bear a lot of wind due to a large surface area.
- Safety is number one priority when dealing with heights, always use personal protective equipment.

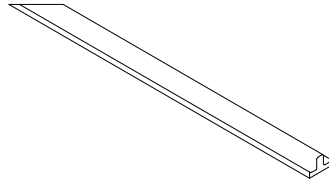
LIST OF DIFFERENT COMPONENTS:



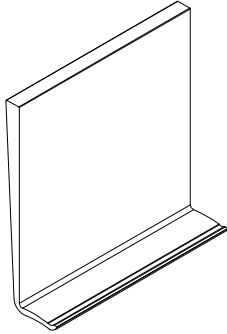
Handrail 30X30X30X2 on top of glass



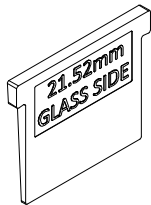
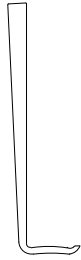
T-seal inside base profile



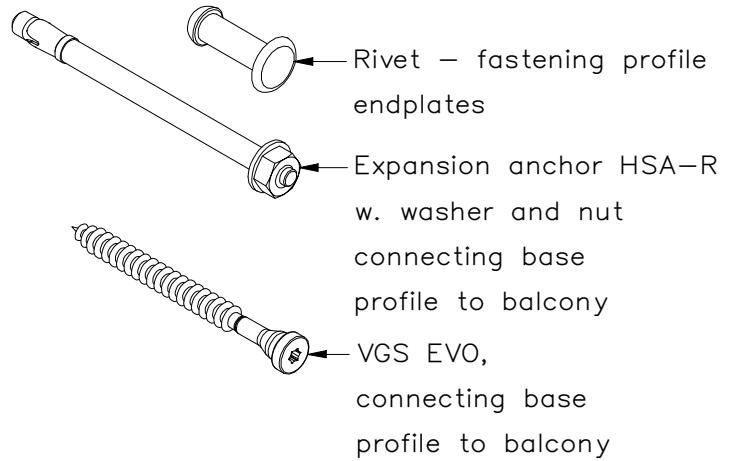
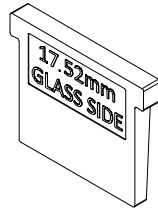
Seal inside base profile



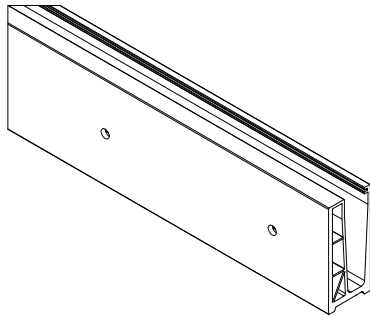
Plastic glass support – for the glass to rest on



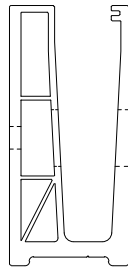
Wedge for 21.52mm or 17.52mm glass, between glass and aluminium base profile



Rivet – fastening profile endplates
Expansion anchor HSA-R w. washer and nut connecting base profile to balcony
VGS EVO, connecting base profile to balcony



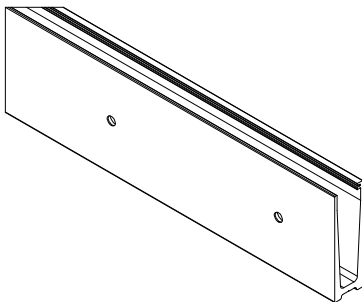
63x138mm base profile for CONCRETE



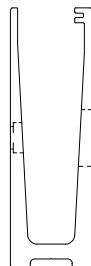
63x138mm profile endplate



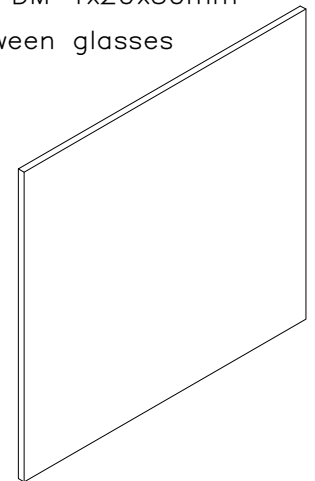
3xEPDM 4x20x50mm between glasses



43x138mm base profile for TIMBER



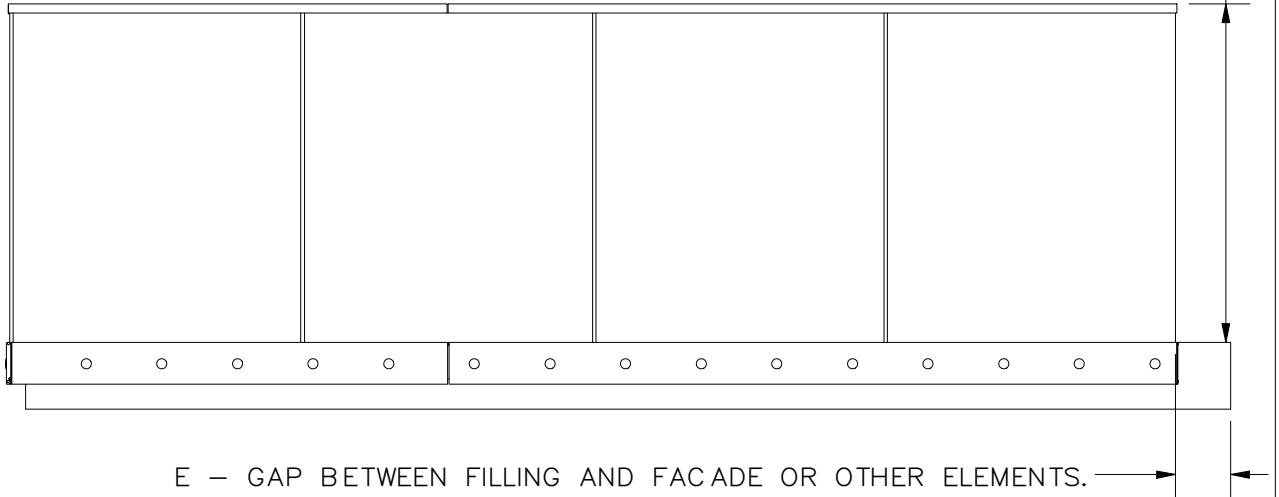
43x138mm profile endplate



21.52mm glass

OVERALL REGULATIONS

H – HANDRAIL HEIGHT FROM BALCONY FLOOR



E – GAP BETWEEN FILLING AND FACADE OR OTHER ELEMENTS.

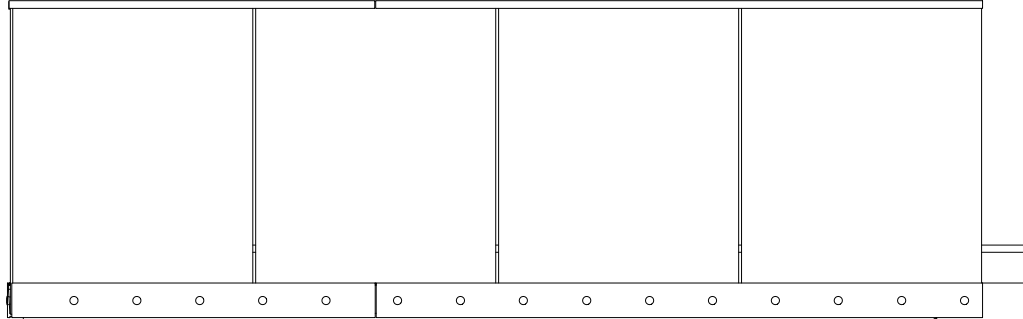
	Norway	Finland	Estonia	Sweden	Denmark	Germany
H (m)	1 or 1.2	1 or 1.2	1 or 1.2	1.1	1 or 1.2	1 or 1.2
E (mm)	Max 100	Max 50	Max 50	Max 50	Max 100	Max 100

MEASUREMENTS

Inspent profile comes in 3.5m pieces. You need to cut it according to your project.

TIMBER

Min. base structure thickness 90mm, height 145mm.

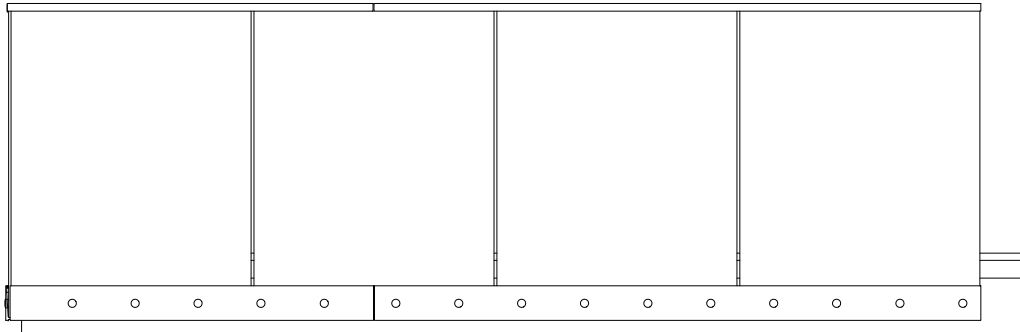


*ROTHOBLAAS VGS EVO
SCREW DATASHEETS
AND INFORMATION*



CONCRETE C25/30

Min. base structure width 160mm, height 140mm.



*HILTI HSA-R WEDGE
ANCHOR
DATASHEETS AND
INFORMATION*



Both timber and concrete versions offer two glass and handrail combinations.

Option 1: 21.52mm glass paired with a 30x30x30x2mm handrail.

Option 2: 17.52mm glass paired with a 25x25x25x2mm handrail.

SEQUENCE OF GLASS INSTALLATION

SIDE MOUNTED TIMBER

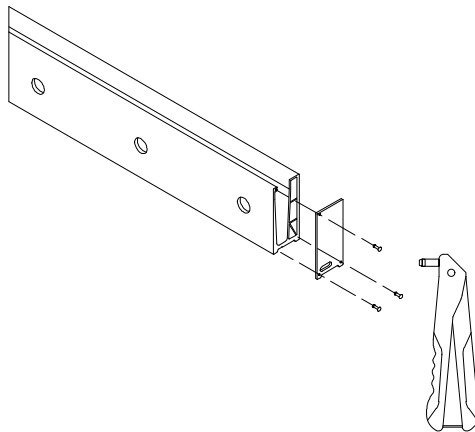
1. Pre-drill Ø6mm holes to timber substructure.
2. In case you are going through waterproof layer, use roof sealant before fastening.
3. Fix inspent profile to base structure with correct fasteners according to project.
4. Before final tightening make sure the profile is leveled.
5. Check that the profile is securely fixed.

SIDE MOUNTED CONCRETE

1. Mark the drill bit with a marker to set the correct drilling depth (min. 85mm for expansion anchor).
2. Drill Ø10 holes.
3. Clean the holes with a vacuum cleaner.
4. In case you are going through waterproof layer, use roof sealant before fastening.
5. Hammer the anchors into the drilled holes.
6. Place the inspent profile onto the anchors.
7. Make sure the profile is leveled correctly.
8. Tighten the nuts by hand first if possible, then use a socket wrench.
9. Check that the profile is securely fixed.

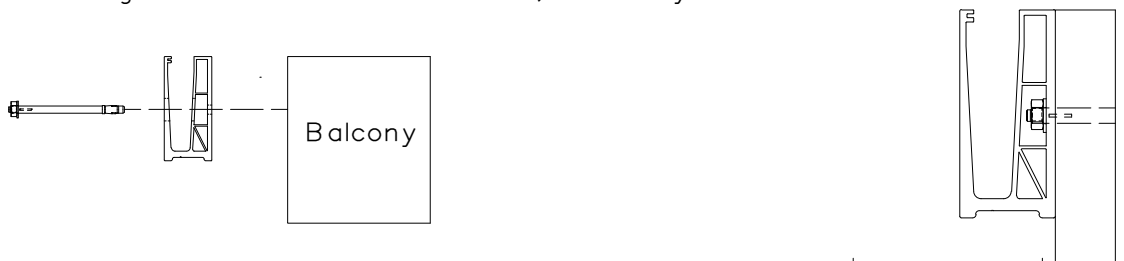
Next steps are shown with the concrete profile, but the same principles apply to timber.

STEP 1. Fasten base profile endplates with rivets.



STEP 2. Fix the aluminium base profile

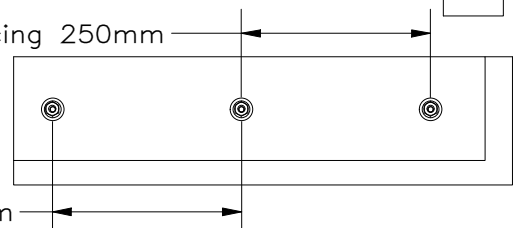
Start with fastening the first and last fastener, that way it is easier to fix the rest.



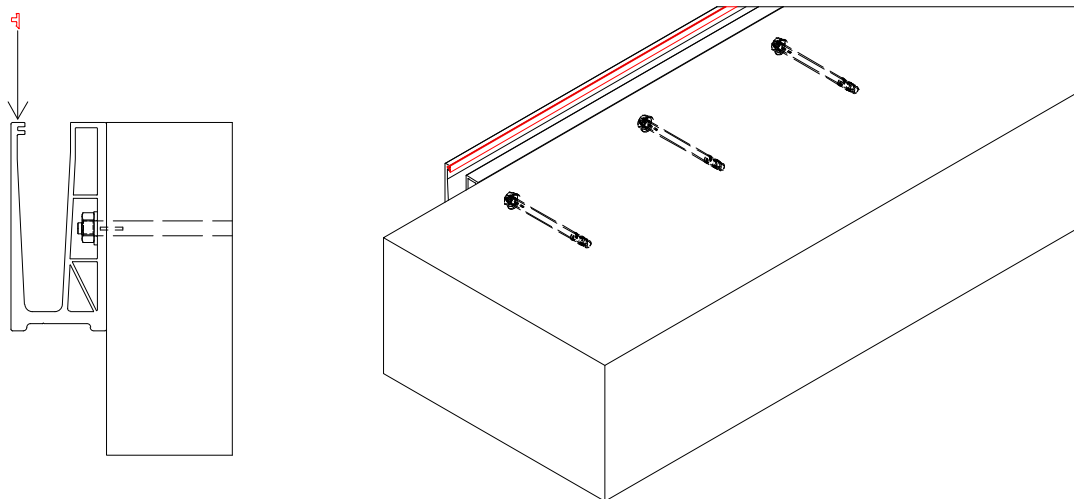
CONCRETE max. recommended fastener spacing 250mm

Always consult with a structural engineer or supplier if you have any questions.

TIMBER max. recommended fastener spacing 250mm

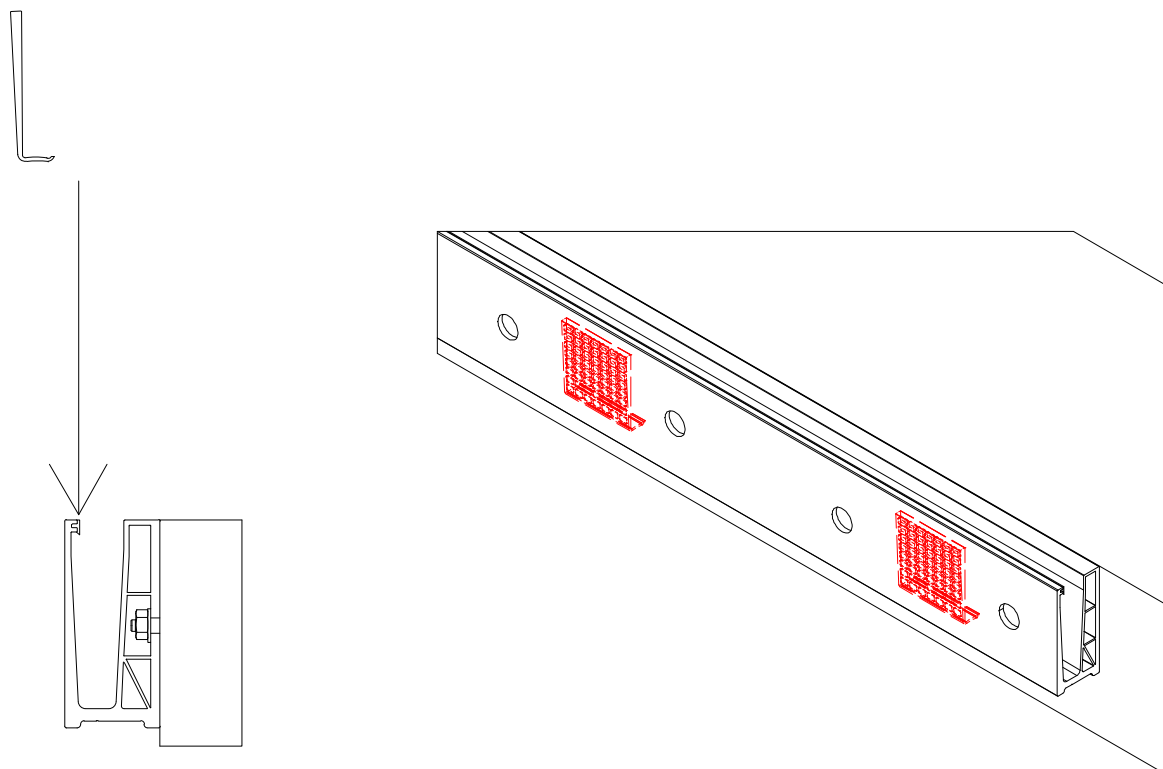


STEP 3. Place the T-seal inside base profile

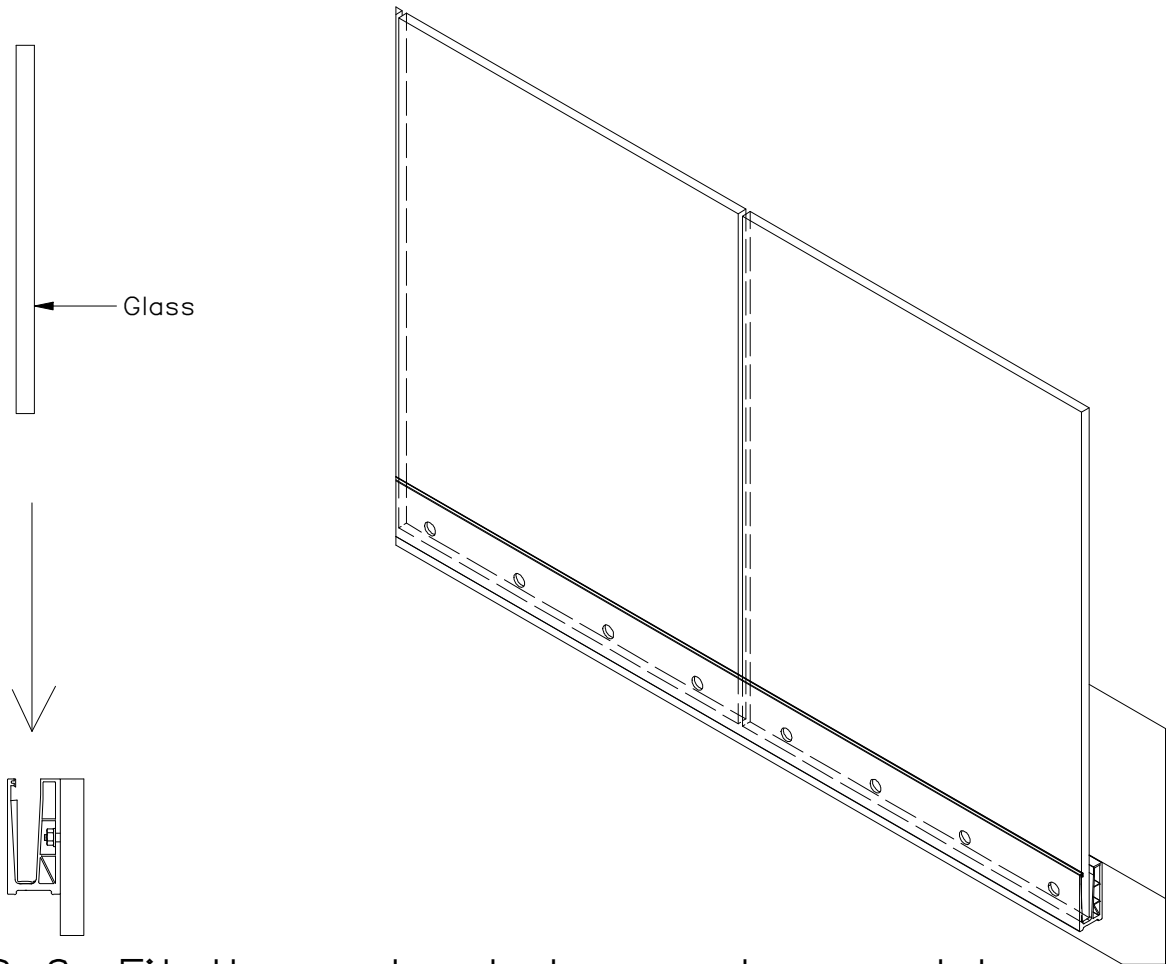


STEP 4. Place plastic glass supports inside base profile

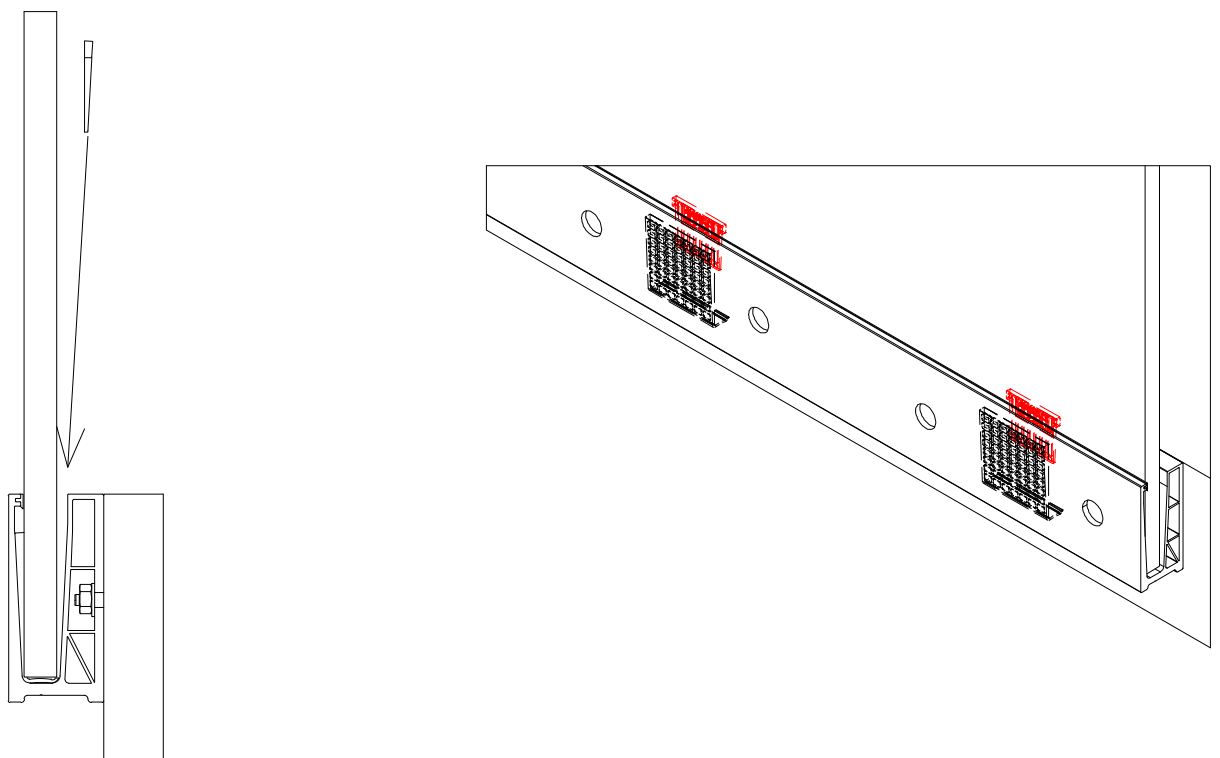
As a general rule, two carriers should be used for each glass panel.



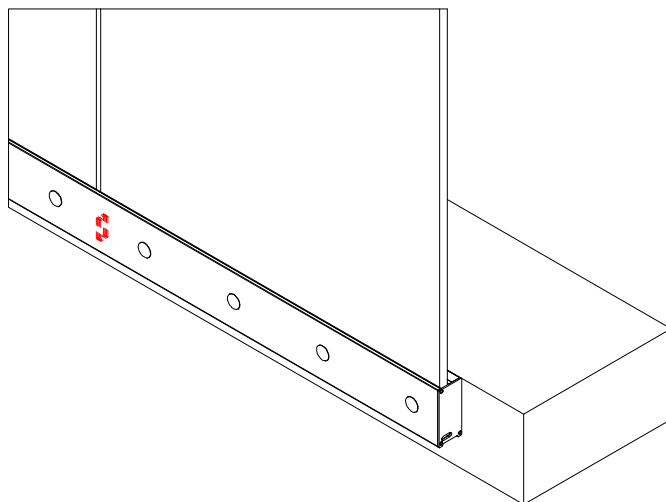
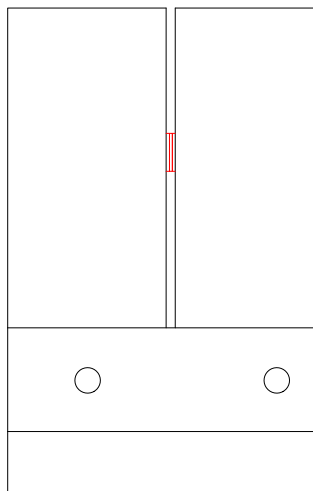
STEP 5. Fit the glass on top of glass supports



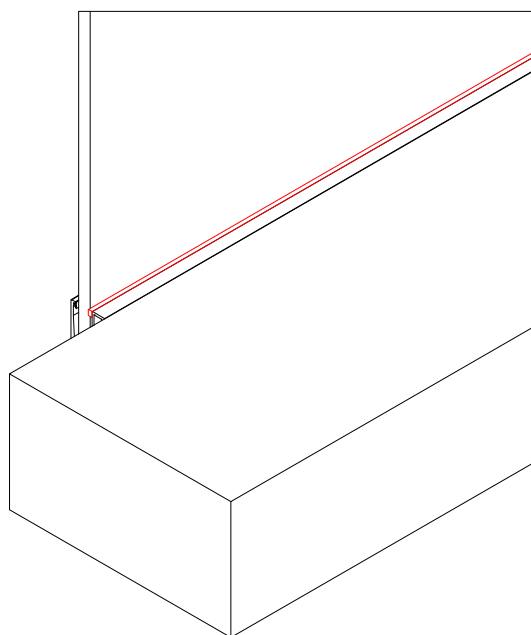
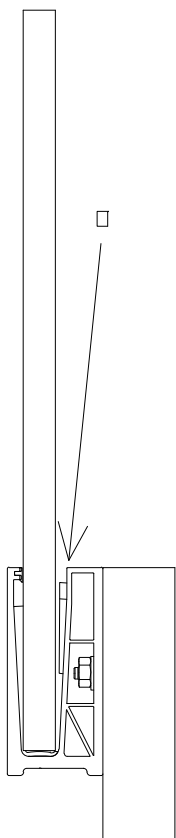
STEP 6. Fit the wedge between glass and base profile. Align wedges to the center of glass supports.



STEP 7. Place the EPDM between glasses



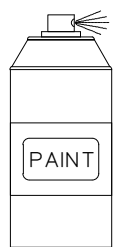
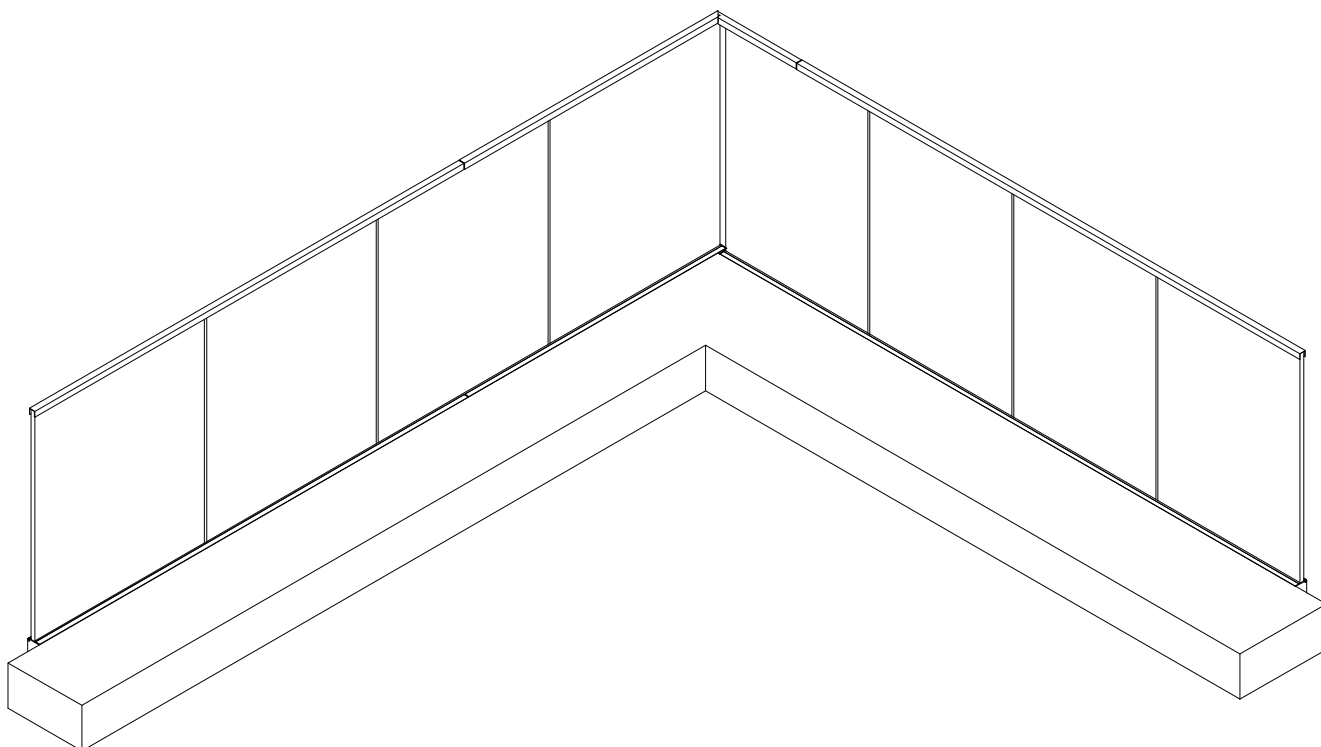
STEP 8. Place the seal over the wedge.



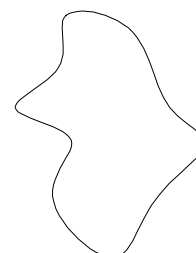
STEP 10. FINISH THE BALCONY ASSEMBLY

Clean railing with microfiber cloth.

If any damage has occurred during installation to painted parts, repair paint with correct ral code can be used!



RE-PAINT IF NEEDED



CLEAN THE ASSEMBLY

Enjoy your new Innore railing and stay safe!
Designed for safety, built to last.

Thank you for choosing Innore railing systems – Your Innore railing is designed and manufactured in Estonia with a focus on safety, durability, and timeless design.

Keep your railing in perfect condition:

- Clean regularly with mild detergent and water.
- Check fasteners and joints periodically.
- Avoid harsh chemicals or abrasive cleaners.
- Follow detailed steps in the Maintenance Guide.

For detailed information, see:

Maintenance Guide:

If you have any questions or need assistance, don't hesitate to contact us:

Email: info@innore.ee

Website: www.innore.eu

We're here to help you keep your railing safe, beautiful, and long-lasting.
Stay safe – and enjoy your view!

