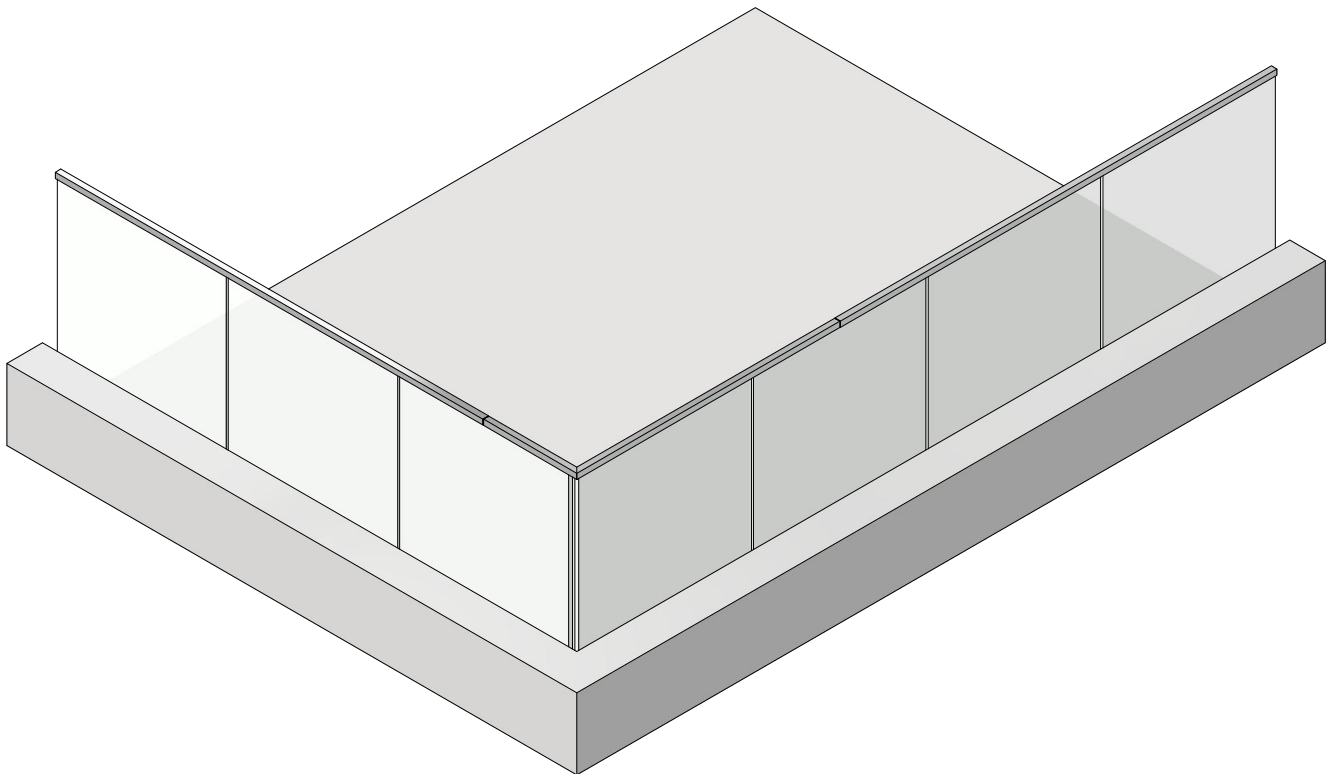
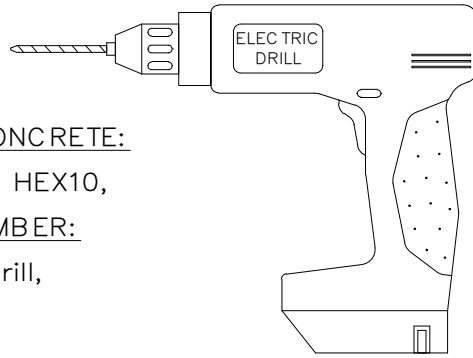


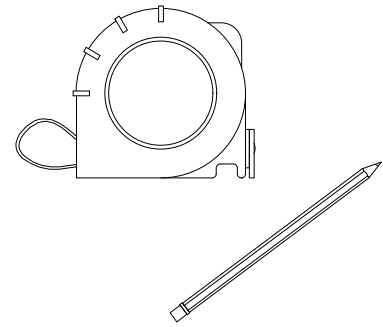
BALCONY RAILING
INSPENT
PARAPET
MOUNTED
INSTALLATION MANUAL



NECESSARY AND ADDITIONAL HELPFUL ITEMS FOR INSTALLATION:



Drillbits for CONCRETE:
 SDS plus M10, HEX10,
 Drillbits for TIMBER:
 Ø6mm wood drill,
 TX50

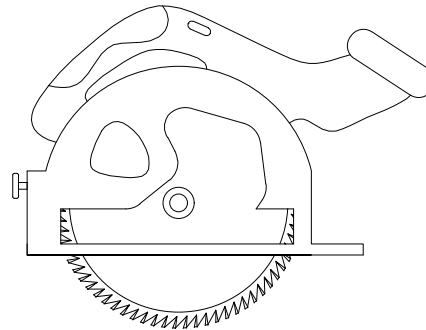


Measuring tape & pencil

Electric drill for TIMBER
 Hammer drill for CONCRETE



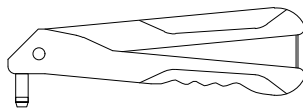
Soapy water spray
 (Optional)



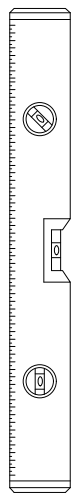
Angular saw
 cold cut



Repair paint
 (Optional)



Riveting pliers



Level

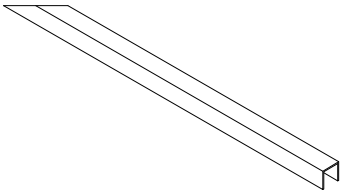


CAUTION

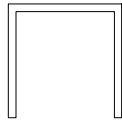
READ THE WHOLE INSTALLATION MANUAL BEFORE STARTING.

- It is easy to scratch and/or break glass panels, handle with care, use cut resistant gloves.
- Railings are powder coated, paint can be damaged if profiles are left on uneven surfaces and not handled properly.
- Balcony railing installations have to follow the requirements set by a country's legislation. Innore takes no responsibility of damage and casualties that have occurred due to non-compliant installation.
- Do not install during windy weather conditions. Glass railings are heavy in weight and bear a lot of wind due to a large surface area.
- Safety is number one priority when dealing with heights, always use personal protective equipment.

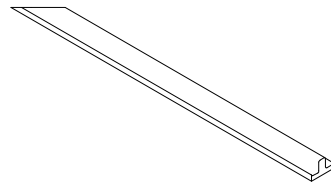
LIST OF DIFFERENT COMPONENTS:



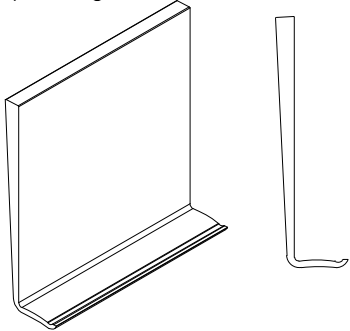
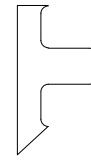
Handrail 30X30X30X2 or 25x25x25x2
on top of glass



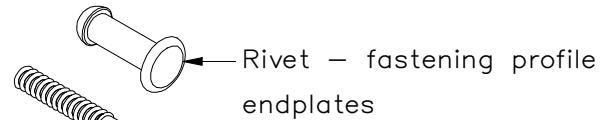
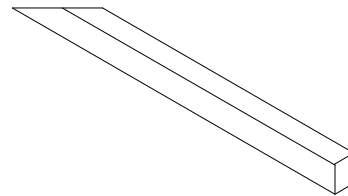
T-seal inside base profile



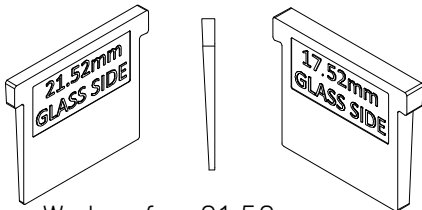
Backside seal inside base profile



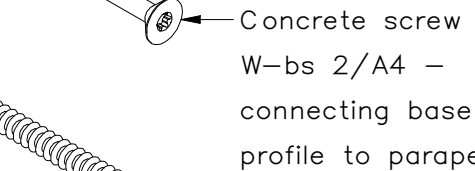
Plastic glass support –
for the glass to rest on



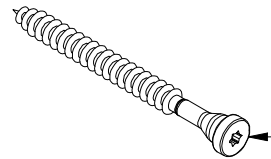
Rivet – fastening profile
endplates



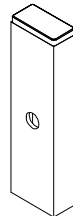
Wedge for 21.52mm or
17.52mm glass, between
glass and base profile



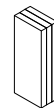
Concrete screw
W-bs 2/A4 –
connecting base
profile to parapet



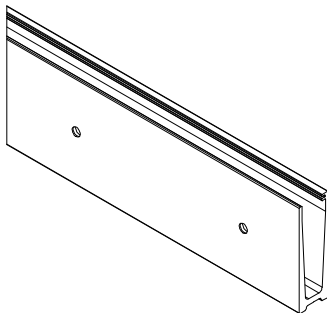
VGS EVO,
connecting base
profile to parapet



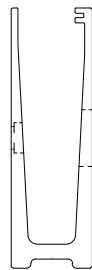
Distance
profile



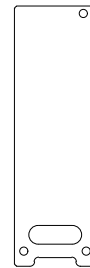
3xEPDM 4x20x50mm
between glasses



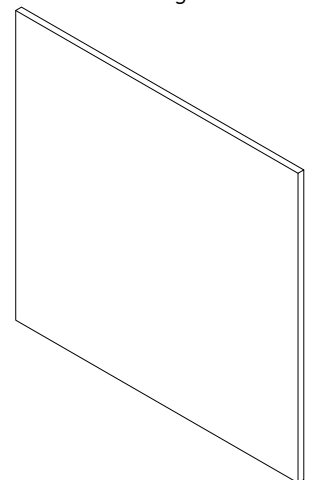
43x138mm inspent profile



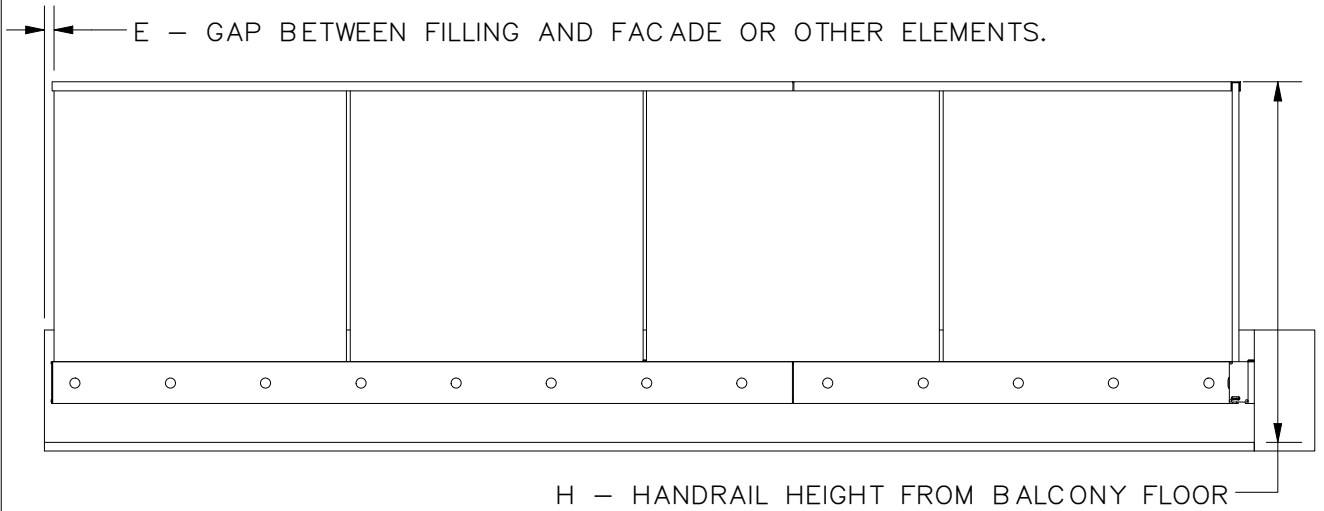
43x138mm
profile endplate



21.52mm or 17.52mm glass



OVERALL REGULATIONS



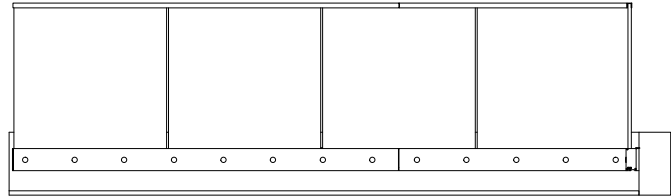
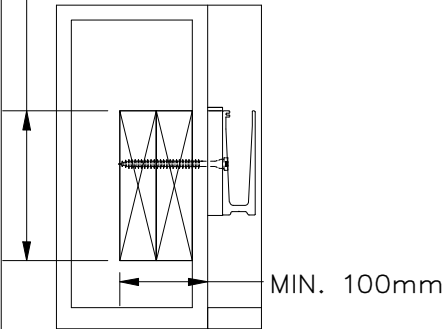
	Norway	Finland	Estonia	Sweden	Denmark	Germany
H (m)	1 or 1.2	1 or 1.2	1 or 1.2	1.1	1 or 1.2	1 or 1.2
E (mm)	Max 100	Max 50	Max 50	Max 50	Max 100	Max 100

MEASUREMENTS

Inspent profile comes in 3.5m pieces. You need to cut it according to your project.

TIMBER

MIN. 145mm Min. base structure thickness from parapet side 95mm, height 145mm.

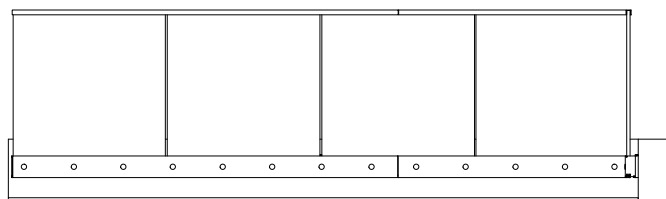
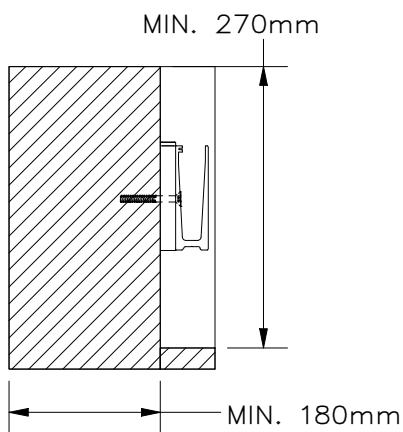


*ROTHOBLAAS VGS EVO
SCREW DATASHEETS
AND INFORMATION*



CONCRETE C25/30

Min. base structure thickness from parapet side 180mm,
Min. height from terrace to parapet flashing corner 270mm.



*HILTI HSA-R WEDGE
ANCHOR
DATASHEETS AND
INFORMATION*



Both timber and concrete versions offer two glass and handrail combinations.

Option 1: 21.52mm glass paired with a 30x30x30x2mm handrail.

Option 2: 17.52mm glass paired with a 25x25x25x2mm handrail.

SEQUENCE OF GLASS INSTALLATION

PARAPET MOUNTED TIMBER

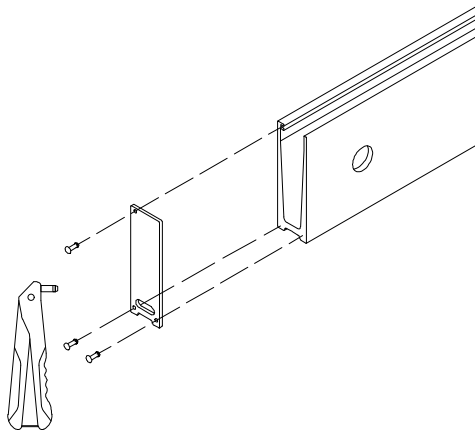
1. Pre-drill $\varnothing 6\text{mm}$ holes to timber substructure.
2. Use roof sealant before fastening to eliminate water damage.
3. Fix inspent profile and distance profiles to base structure with correct fasteners according to project.
4. Before final tightening make sure the profile is leveled.
5. Check that the profile is securely fixed.

PARAPET MOUNTED CONCRETE

1. Mark the drill bit with a marker to set the correct drilling depth (min. 85mm for expansion anchor).
2. Drill $\varnothing 10$ holes.
3. Clean the holes with a vacuum cleaner.
4. Before fastening the anchors, tip them into roof sealant to eliminate water damage.
5. Hammer the anchors into the drilled holes.
6. Place the distance profiles and inspent profile onto the anchors.
7. Make sure the profile is leveled correctly.
8. Tighten the nuts by hand first if possible, then use a socket wrench.
9. Check that the profile is securely fixed.

STEP 1. Fasten base profile endplates with rivets.

It is easier to do it at first because later there might be not enough room for fastening endplates.



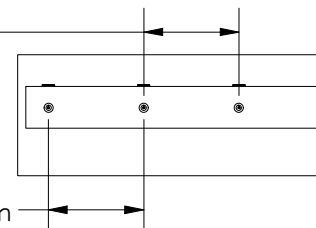
STEP 2. Fix the base profile

Start with fastening the first and last fastener, that way it is easier to fix the rest. Make sure you put the distance profile between parapet and inspent profile before fastening.

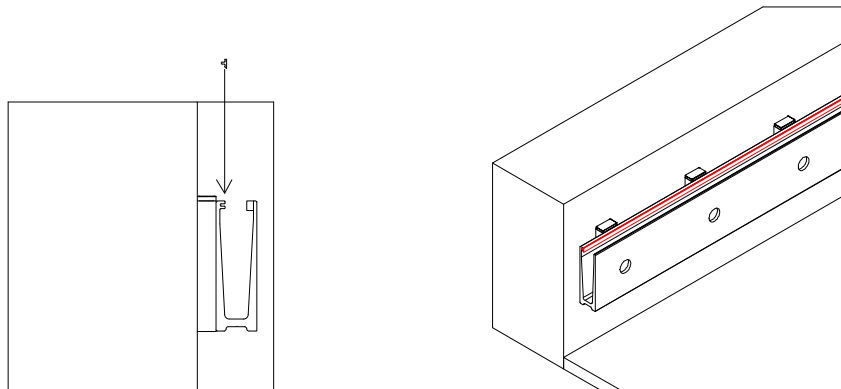
Always consult with a structural engineer or supplier if you have any questions.

TIMBER max. recommended fastener spacing 450mm

CONCRETE max. recommended fastener spacing 500mm

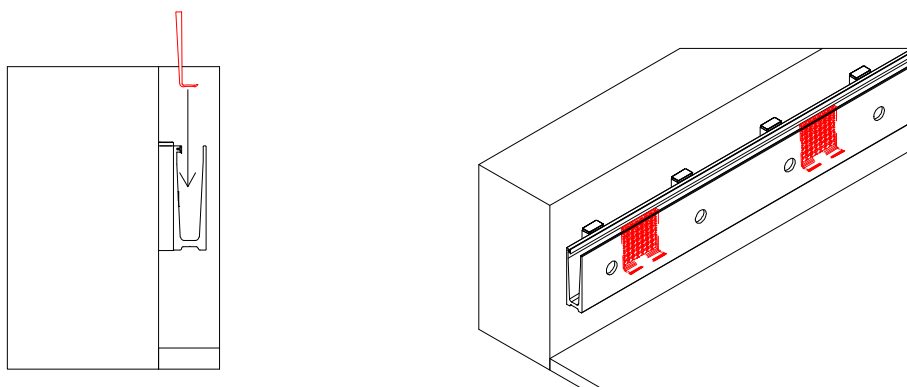


STEP 3. Place the T-seal inside base profile

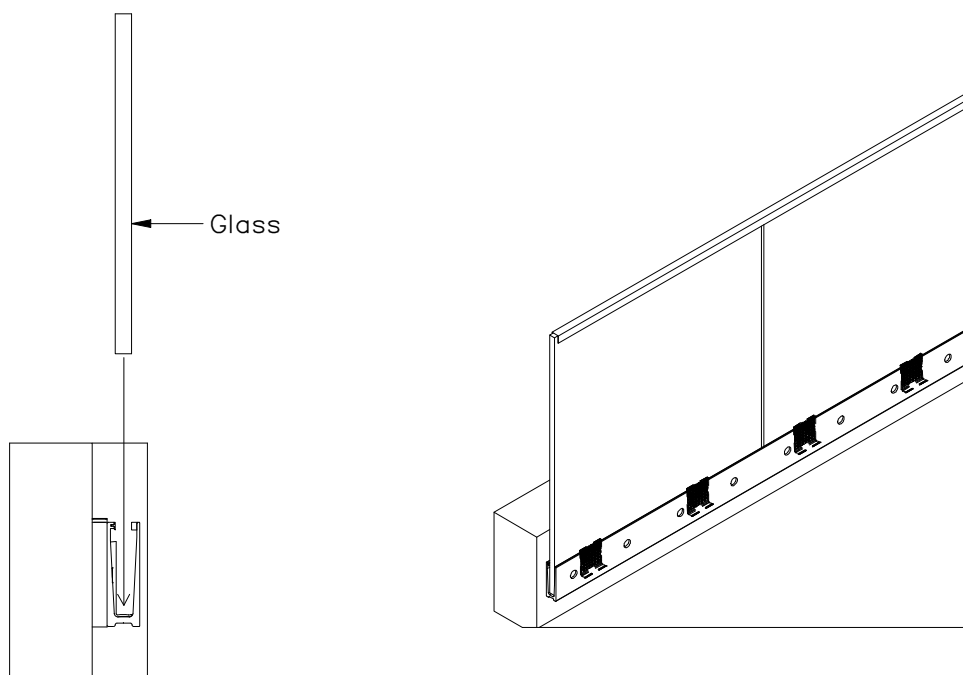


STEP 4. Place glass supports inside base profile

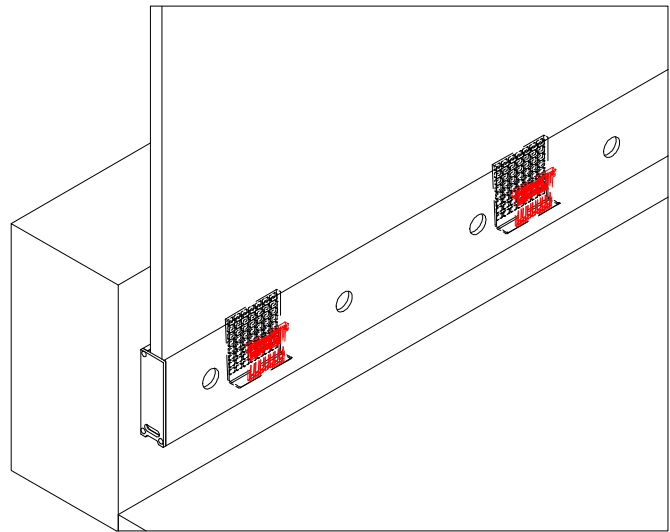
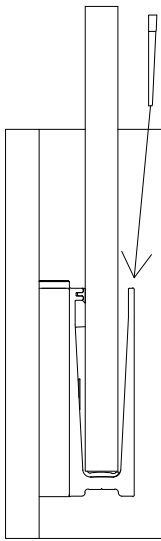
As a general rule, two carriers should be used for each glass panel.



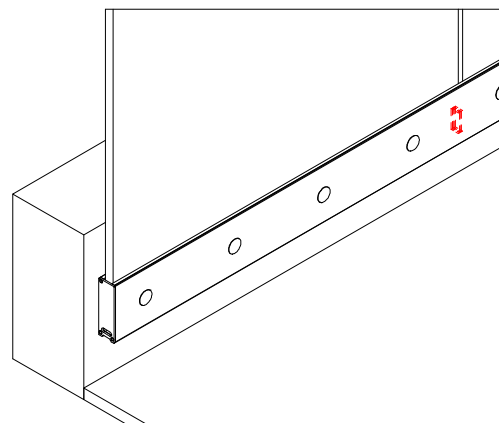
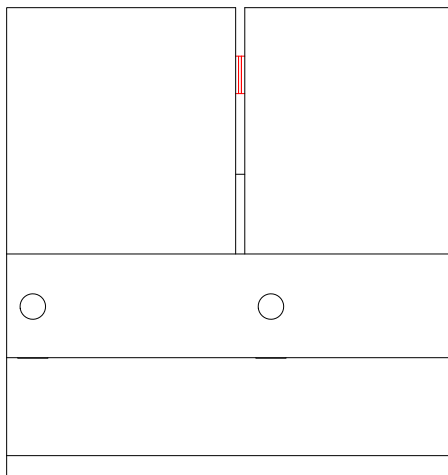
STEP 5. Fit the glass on top of glass supports



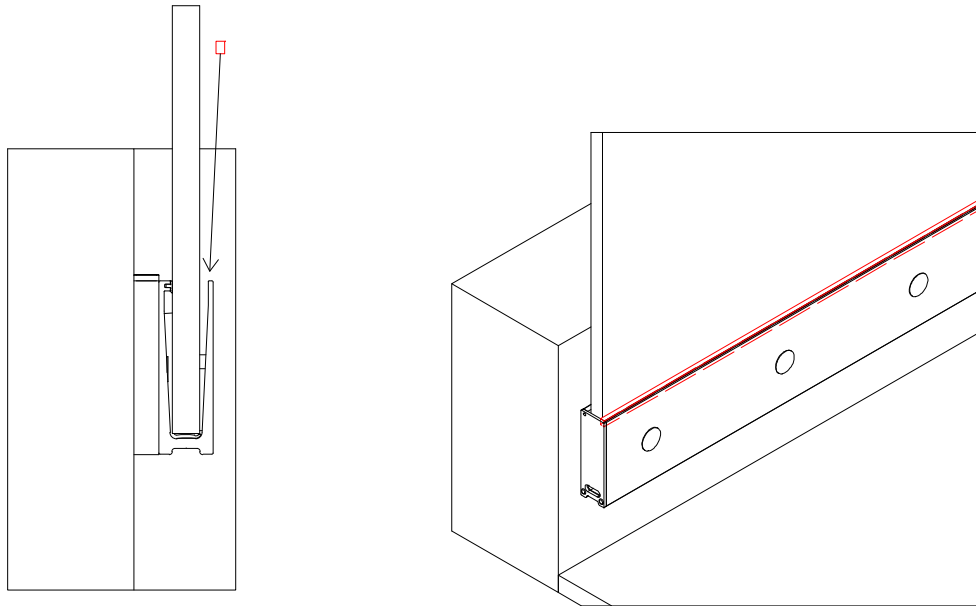
STEP 6. Fit the wedge between glass and base profile.
Align wedges to the center of glass carriers.



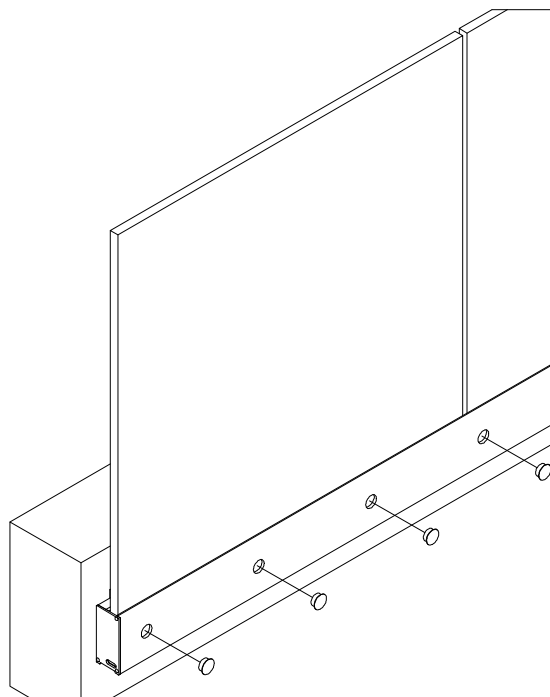
STEP 7. Place EPDM between glasses



STEP 8. Place the seal over the wedge.

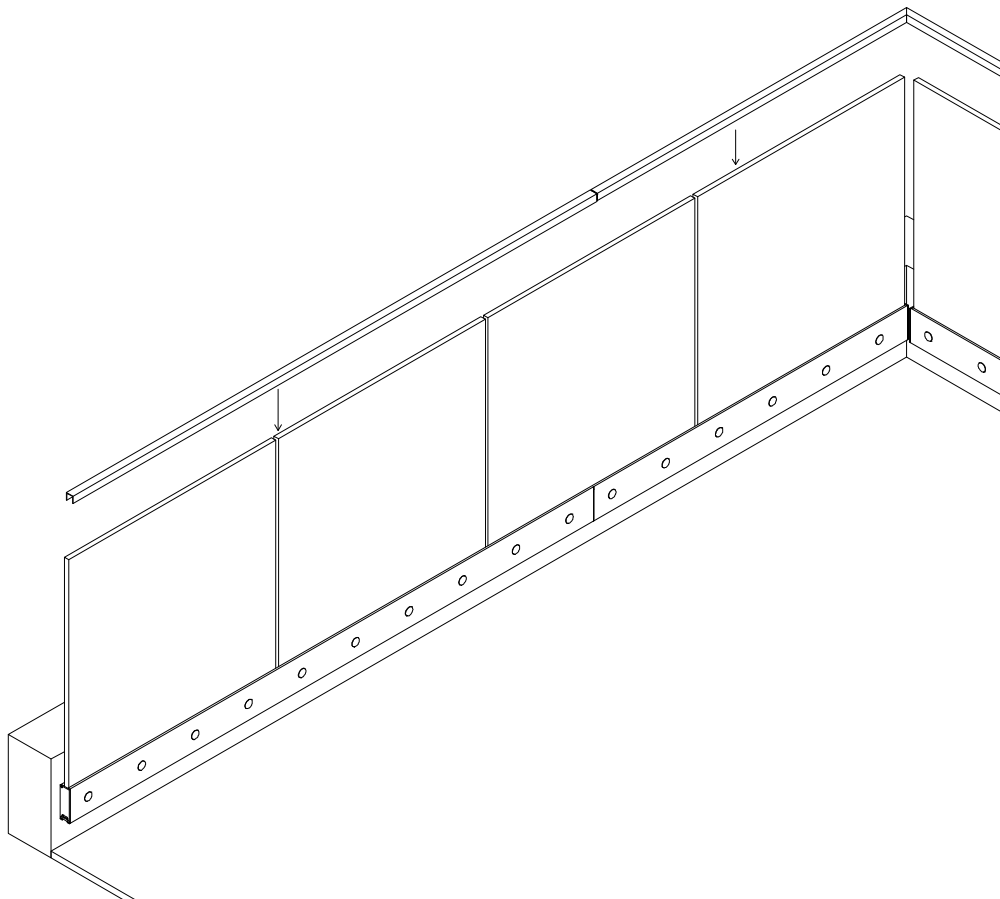


STEP 9. Fix base profile plastic caps with glue



STEP 10. Handrail is fixed with glue, leave 4mm gaps between sections of handrail for thermal expansion.
Corner part welded together.

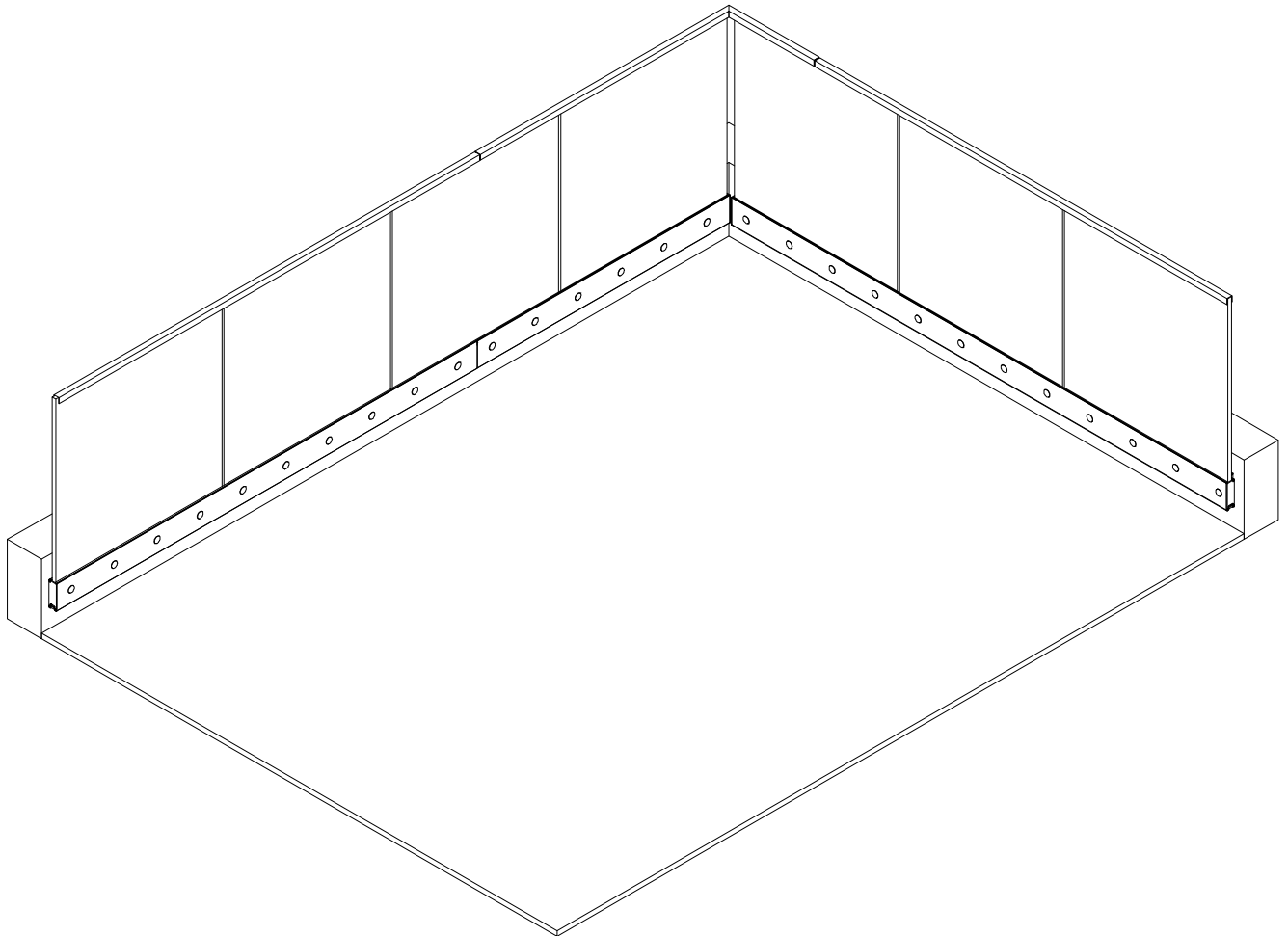
If you ordered from e-store you are given 1x2m welded together corner detail which you need to cut into correct measurements.



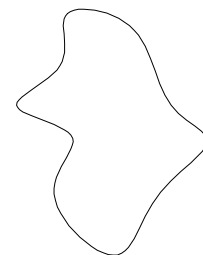
STEP 10. FINISH THE BALCONY ASSEMBLY

Clean railing with microfiber cloth.

If any damage has occurred during installation to painted parts, repair paint with correct ral code can be used!



RE-PAINT IF NEEDED



CLEAN THE ASSEMBLY

Enjoy your new Innore railing and stay safe!
Designed for safety, built to last.

Thank you for choosing Innore railing systems – Your Innore railing is designed and manufactured in Estonia with a focus on safety, durability, and timeless design.

Keep your railing in perfect condition:

- Clean regularly with mild detergent and water.
- Check fasteners and joints periodically.
- Avoid harsh chemicals or abrasive cleaners.
- Follow detailed steps in the Maintenance Guide.

For detailed information, see:

Maintenance Guide:

If you have any questions or need assistance, don't hesitate to contact us:

Email: info@innore.ee

Website: www.innore.eu

We're here to help you keep your railing safe, beautiful, and long-lasting.
Stay safe – and enjoy your view!

