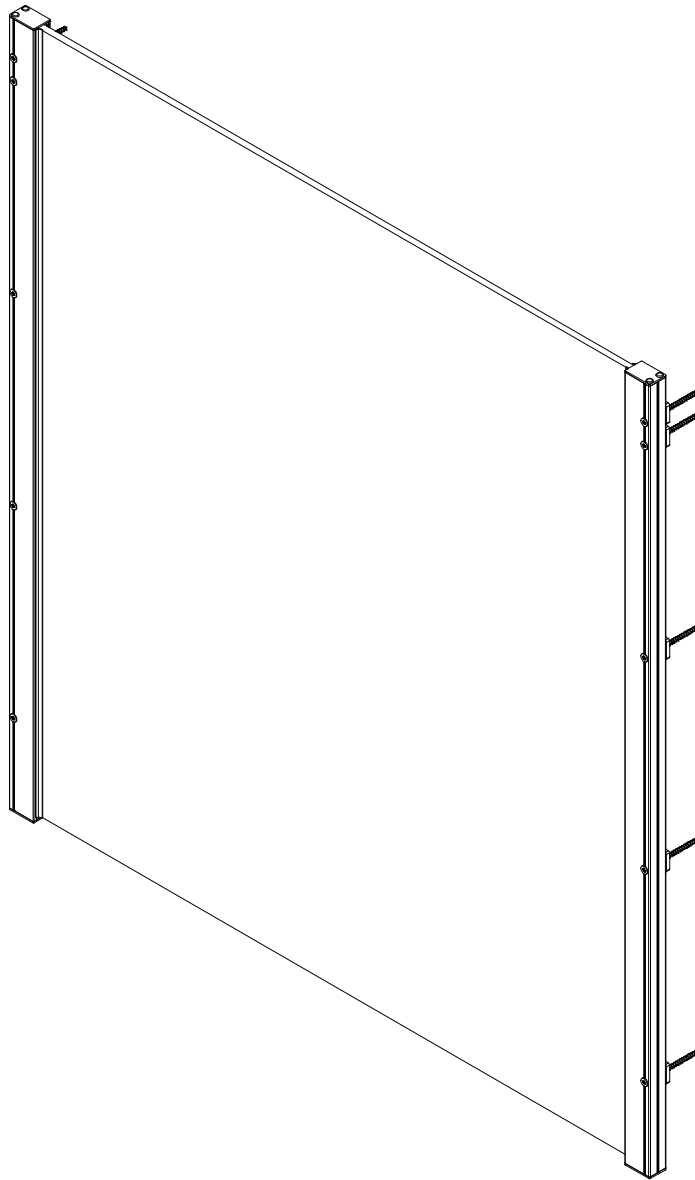
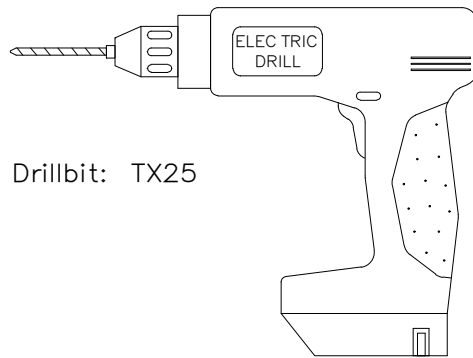


FRENCH  
BALCONY  
NORDKAPP  
INSTALLATION MANUAL

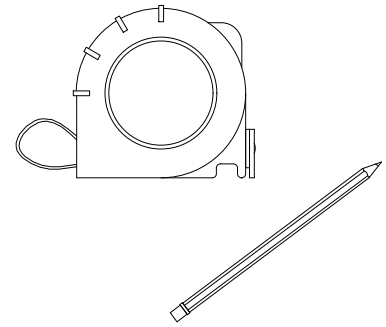


# NECESSARY AND ADDITIONAL HELPFUL ITEMS FOR INSTALLATION:

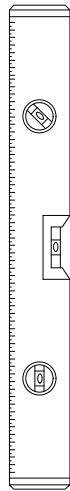


Drillbit: TX25

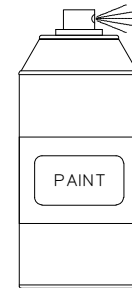
Electric drill



Measuring tape & pencil



Level



Repair paint  
(Optional)



## CAUTION

READ THE WHOLE INSTALLATION MANUAL BEFORE STARTING.

- It is easy to scratch and/or break glass panels, handle with care.
- Railings are powder coated, paint can be damaged if profiles are left on uneven surfaces and not handled properly.
- Balcony railing installations have to follow the requirements set by a country's legislation. Innore takes no responsibility of damage and casualties that have occurred due to non-compliant installation.
- Do not install during windy weather conditions. Glass railings are heavy in weight and bear a lot of wind due to a large surface area.
- Safety is number one priority when dealing with heights, always use personal protective equipment.

# OVERALL MEASUREMENTS

Nordkapp is available in 1m or 1.2m versions for a single window panel.

In case the window frame material is aluminium + wood use HBS PLATE EVO 5x80mm

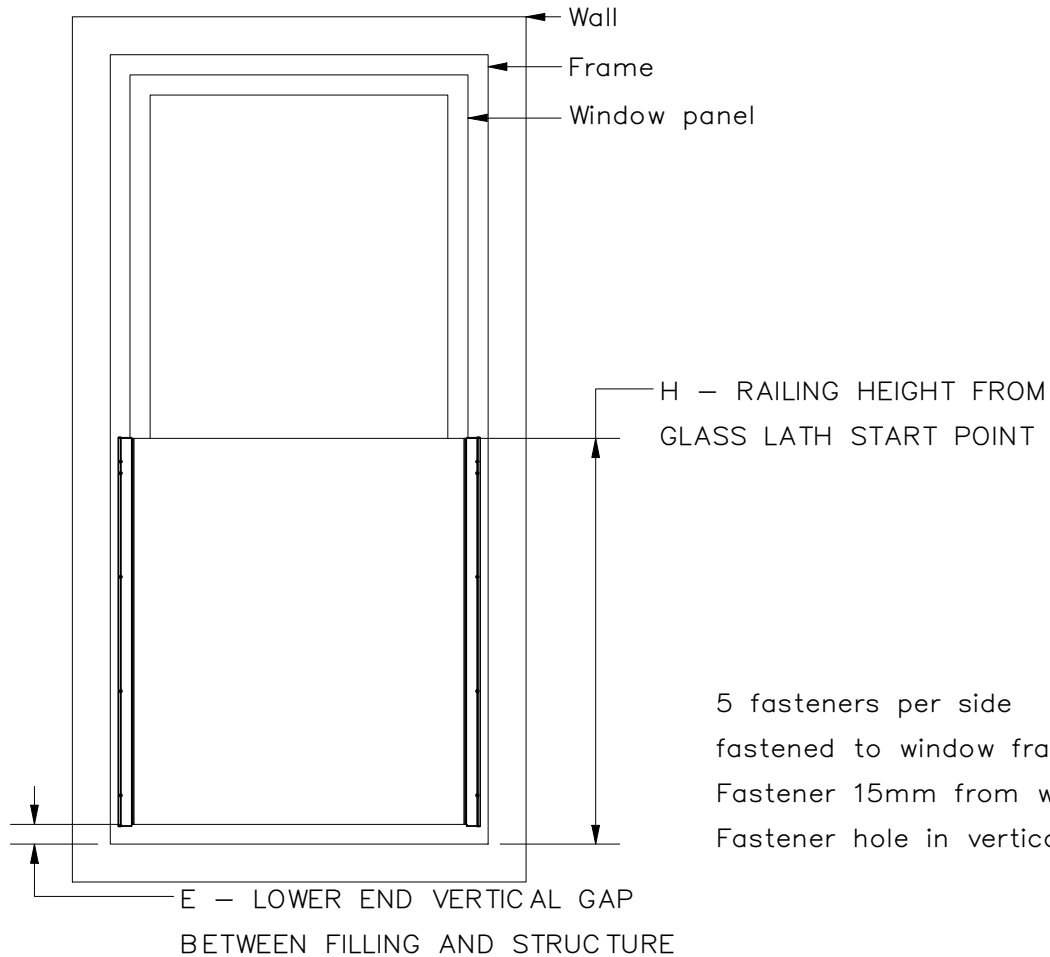
In case the window frame material is wood use HBS PLATE EVO 5x70mm

Max width of glass:

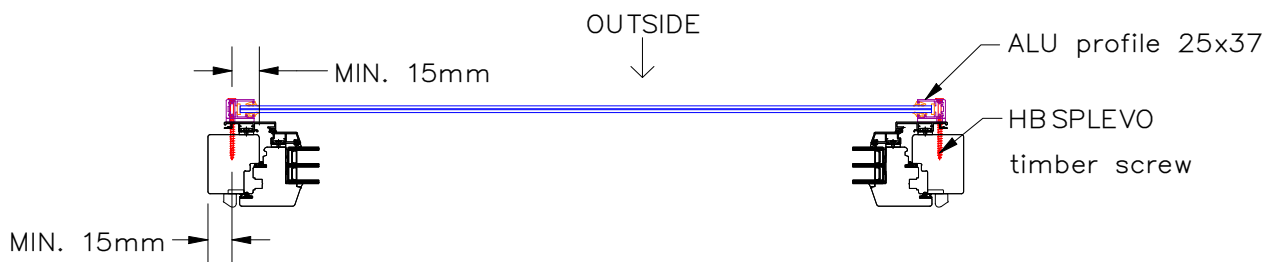
Tempered glass max. 1200mm



ROTHOBLAAS HBS  
PLATE EVO SCREW  
DATASHEETS AND  
INFORMATION



	Norway	Finland	Estonia	Sweden	Denmark	Germany
H (m)	1 or 1.2	1 or 1.2	1 or 1.2	1.1	1 or 1.2	1 or 1.2
E (mm)	Max 100	Max 50	Max 50	Max 50	Max 100	Max 100



Make sure you are fastening at the right place, otherwise things might break.



PRODUCT:  
NORDKAPP

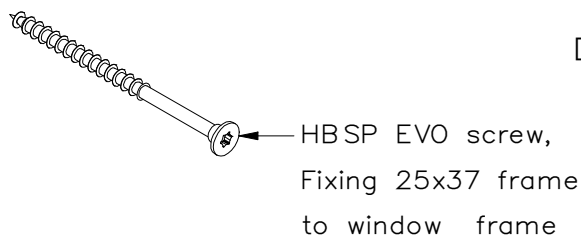
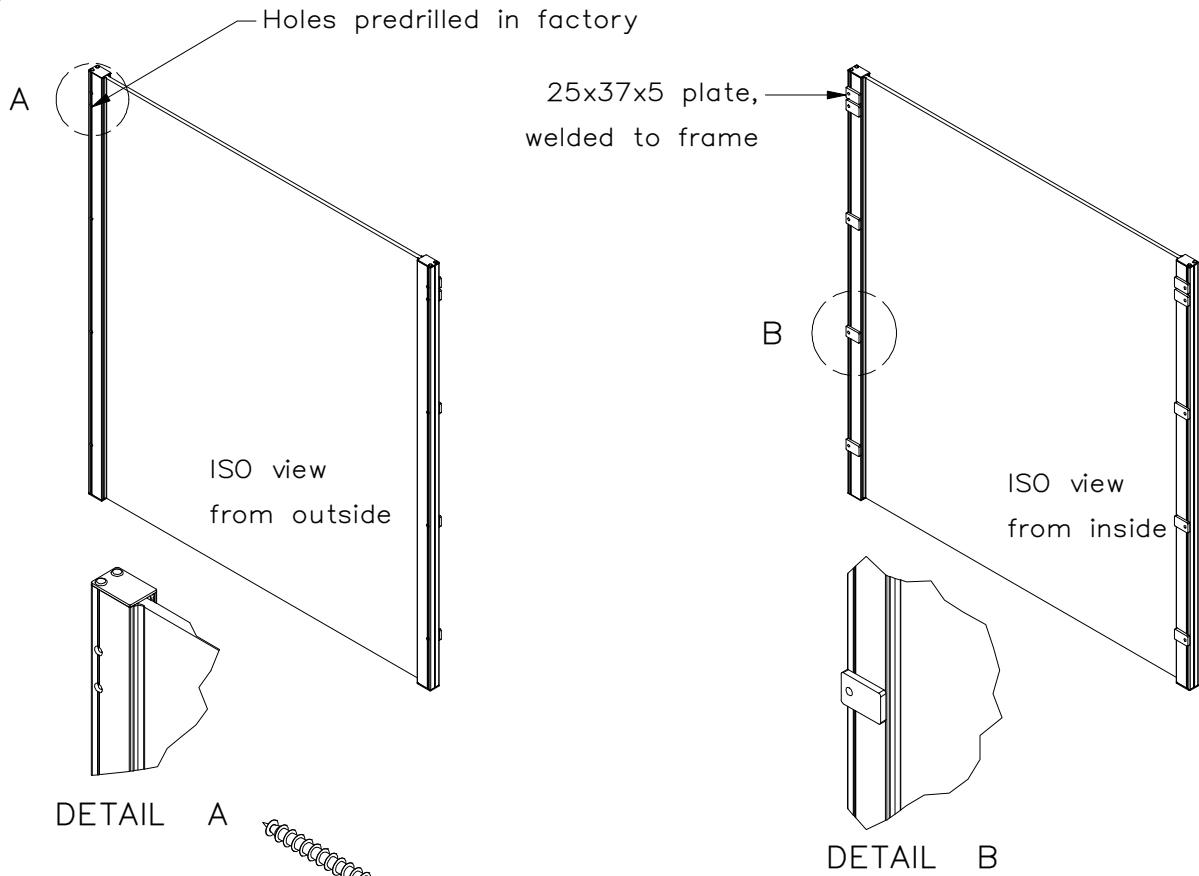
SHEET NAME:  
OVERALL MEASUREMENTS

DATE:

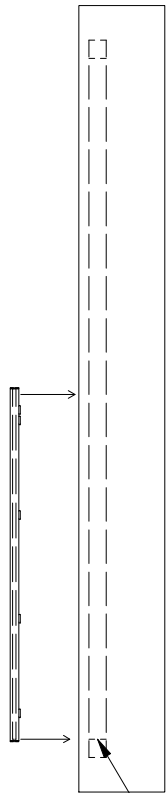
PAGE:  
3

VERSION:

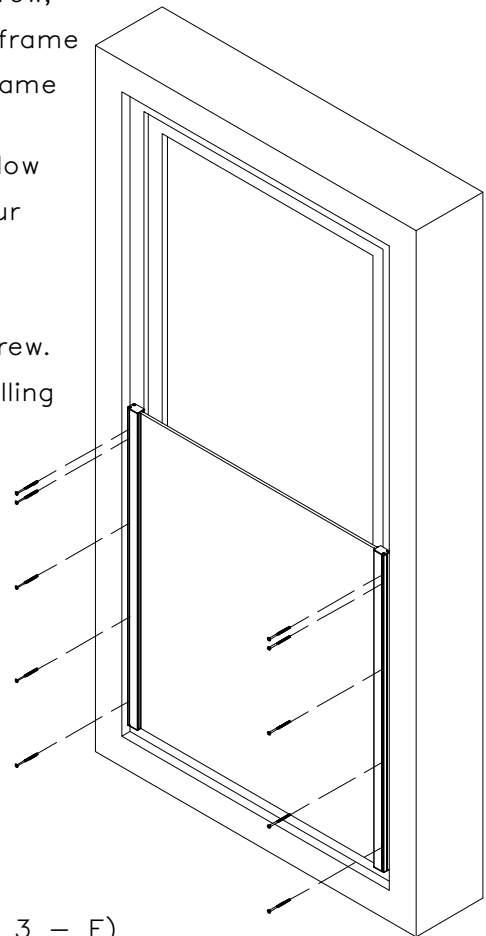
FORMAT:  
A4



Fasten screws through frame to window panel with fasteners according to your window frame material.  
 Predrill  $\varnothing 3$  holes to window frame.  
 Holes must be predrilled for each screw.  
 Use sealant for each screw, after drilling holes.



Highest point where you can step  
 Vertical gap starting point. (See page 3 – E)



**Enjoy your new Innore railing and stay safe!**  
Designed for safety, built to last.

Thank you for choosing Innore railing systems – Your Innore railing is designed and manufactured in Estonia with a focus on safety, durability, and timeless design.

Keep your railing in perfect condition:

- Clean regularly with mild detergent and water.
- Check fasteners and joints periodically.
- Avoid harsh chemicals or abrasive cleaners.
- Follow detailed steps in the Maintenance Guide.

For detailed information, see:

Maintenance Guide:

If you have any questions or need assistance, don't hesitate to contact us:

Email: [info@innore.ee](mailto:info@innore.ee)

Website: [www.innore.eu](http://www.innore.eu)

We're here to help you keep your railing safe, beautiful, and long-lasting.  
Stay safe – and enjoy your view!

