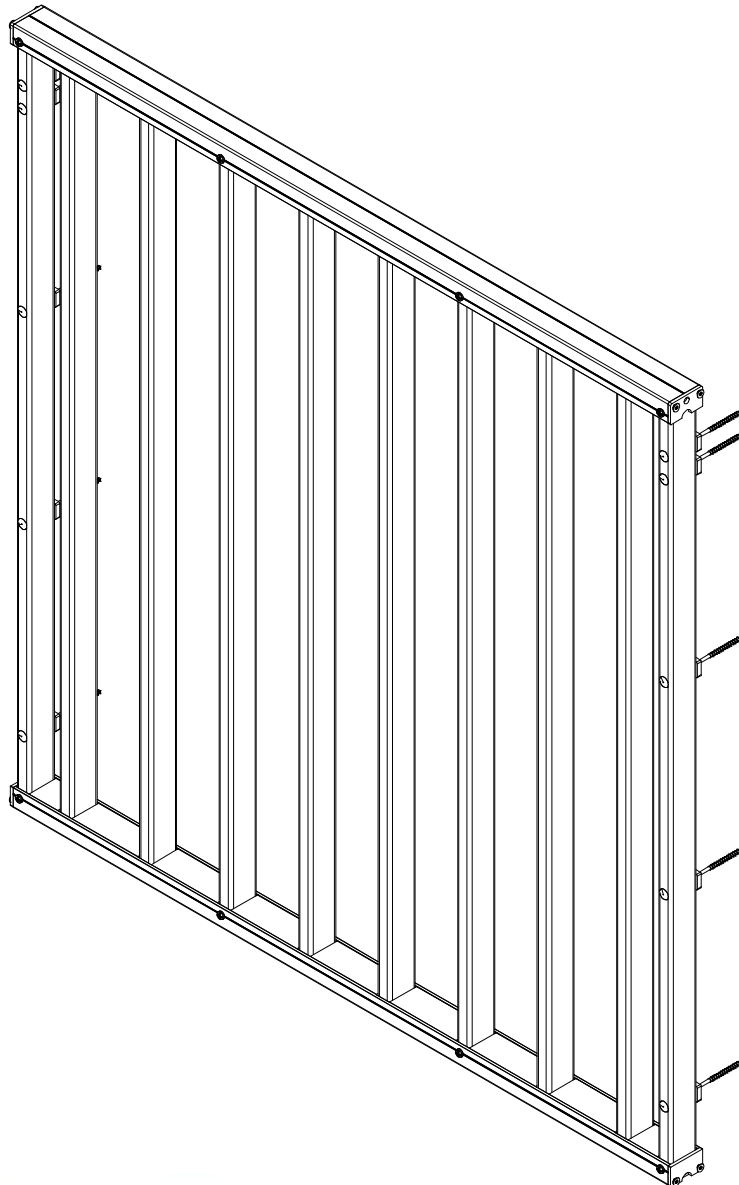


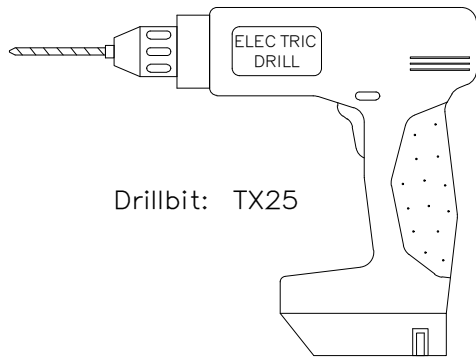
FRENCH BALCONY MOLDE

INSTALLATION MANUAL



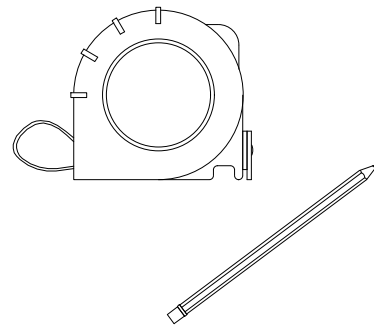
INNOR 

NECESSARY AND ADDITIONAL HELPFUL ITEMS FOR INSTALLATION:

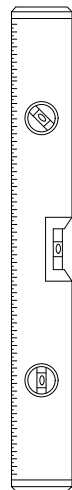


Drillbit: TX25

Electric drill



Measuring tape & pencil



Level



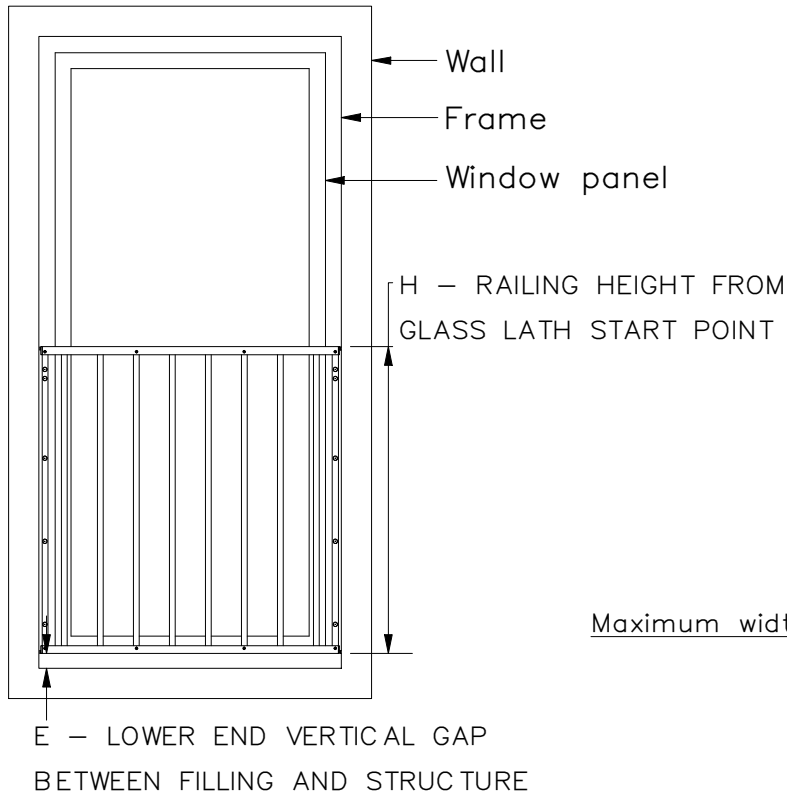
Repair paint
(Optional)



CAUTION

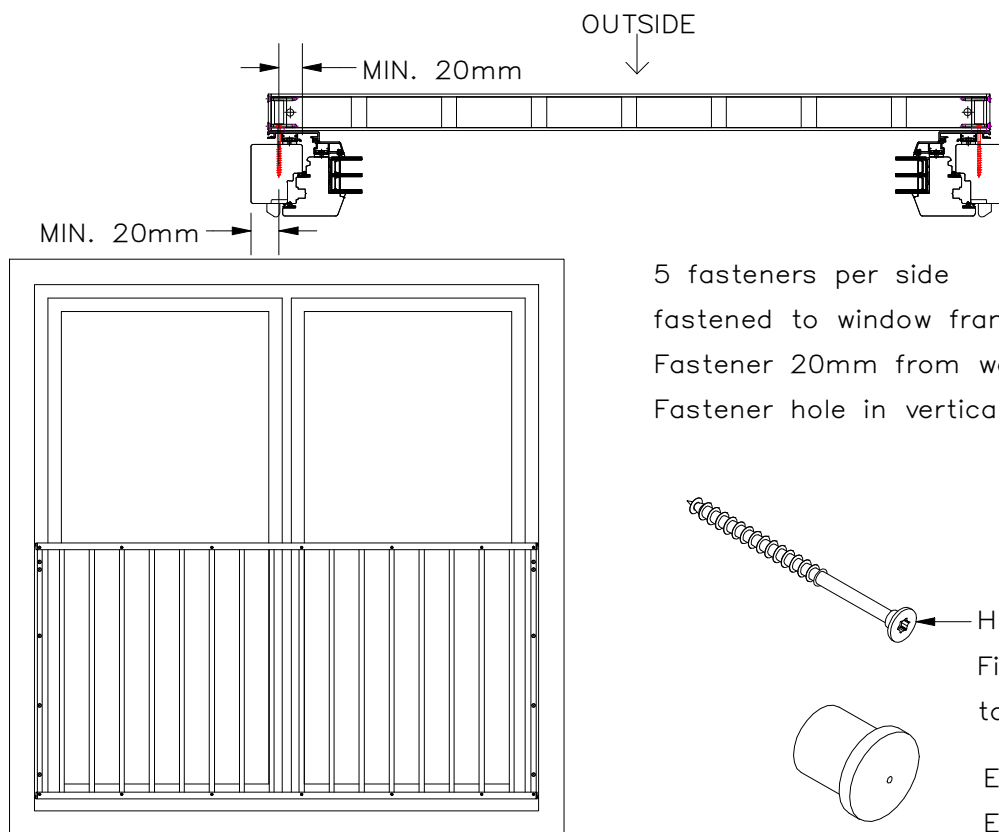
- READ THE WHOLE INSTALLATION MANUAL BEFORE STARTING.
- Handle all parts with care, as aluminium frames can bend or scratch easily.
- Railings are powder coated, paint can be damaged if profiles are left on uneven surfaces and not handled properly.
- Balcony railing installations have to follow the requirements set by a country's legislation. Innore takes no responsibility of damage and casualties that have occurred due to non-compliant installation.
- Do not install during windy weather conditions.
- Safety is number one priority when dealing with heights, always use personal protective equipment.

OVERALL MEASUREMENTS

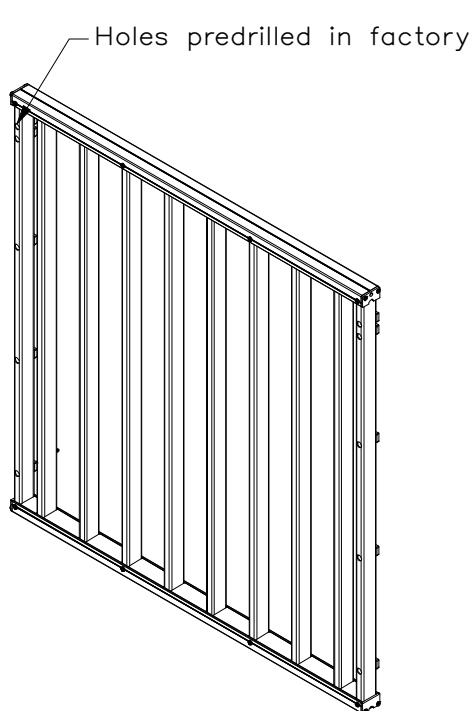


Maximum width of picket frame is 2000mm

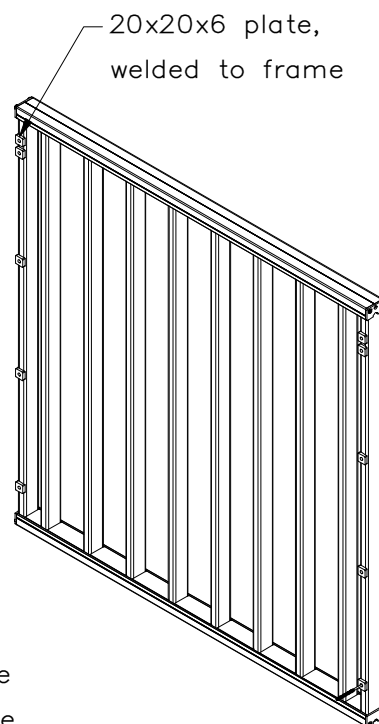
	Norway	Finland	Estonia	Sweden	Denmark	Germany
H (m)	1 or 1.2	1 or 1.2	1 or 1.2	1.1	1 or 1.2	1 or 1.2
E (mm)	Max 100	Max 50	Max 50	Max 50	Max 100	Max 100



In case the window frame material is aluminium + wood use HBS PLATE EVO 5x70mm
 In case the window frame material is wood use HBS PLATE EVO 5x60mm

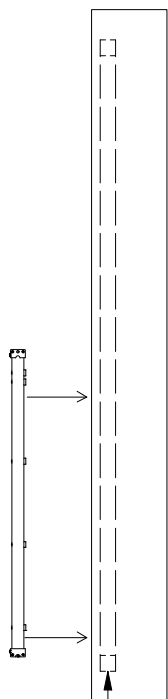


*ROTHOBLAAS HBS
 PLATE EVO SCREW
 DATASHEETS AND
 INFORMATION*

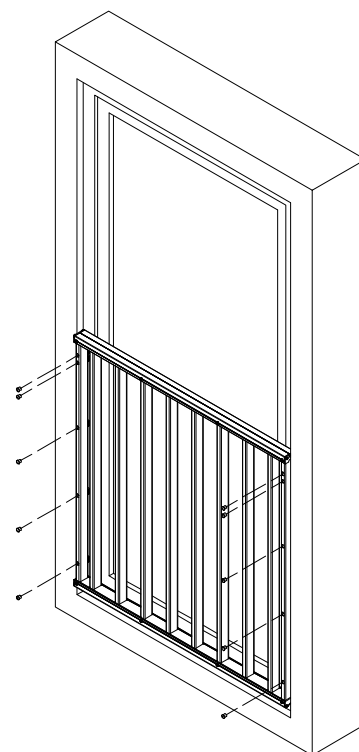
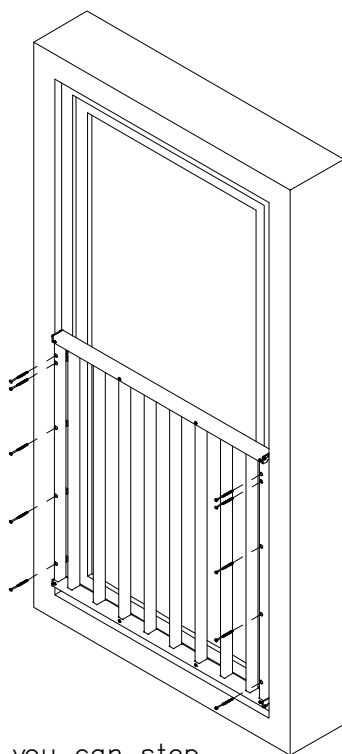


Fasten screws through frame to window frame with fasteners according to your window frame material. Pre-drill $\varnothing 3$ holes to window frame. Holes must be pre-drilled for each screw. Use sealant for each screw, after drilling holes.

Fix the endcaps with glue after you have fastened the frame with screws to window frame.



Highest point where you can step
 Vertical gap starting point. (See page 3 – E)



Enjoy your new Innore railing and stay safe!

Designed for safety, built to last.

Thank you for choosing Innore railing systems – Your Innore railing is designed and manufactured in Estonia with a focus on safety, durability, and timeless design.

Keep your railing in perfect condition:

- Clean regularly with mild detergent and water.
- Check fasteners and joints periodically.
- Avoid harsh chemicals or abrasive cleaners.
- Follow detailed steps in the Maintenance Guide.

For detailed information, see:

Maintenance Guide:

If you have any questions or need assistance, don't hesitate to contact us:

Email: info@innore.ee

Website: www.innore.eu

We're here to help you keep your railing safe, beautiful, and long-lasting.
Stay safe – and enjoy your view!

	Norway	Finland	Estonia	Sweden	Denmar
H (mm)					
E (mm)					