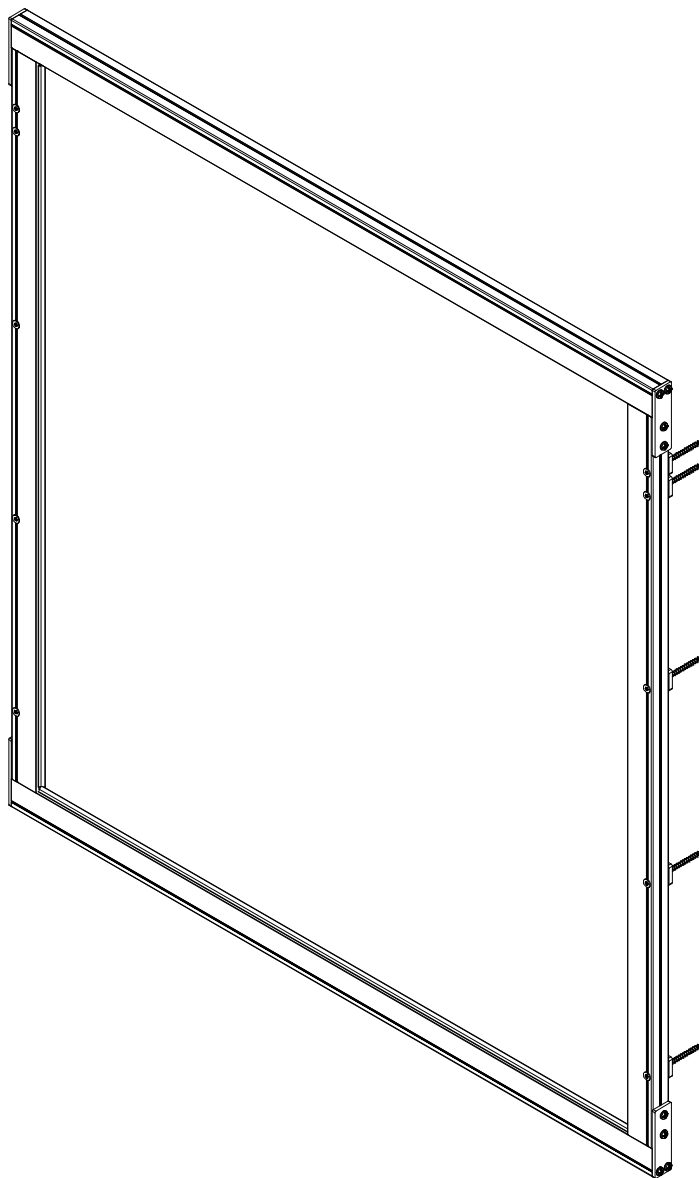


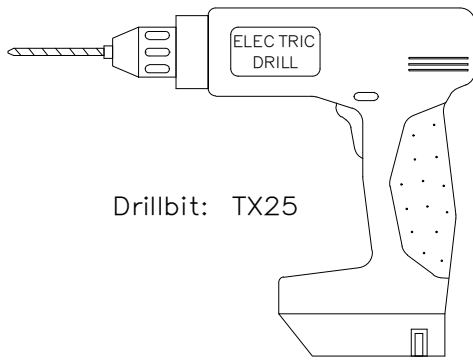
FRENCH BALCONY

NORDKAPP

INSTALLATION MANUAL

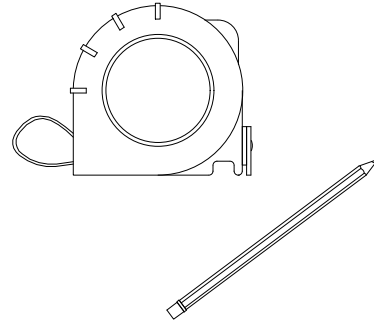


NECESSARY AND ADDITIONAL HELPFUL ITEMS FOR INSTALLATION:

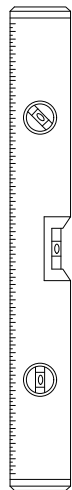


Drillbit: TX25

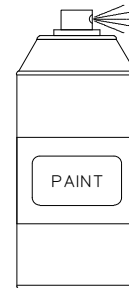
Electric drill



Measuring tape & pencil



Level



Repair paint
(Optional)

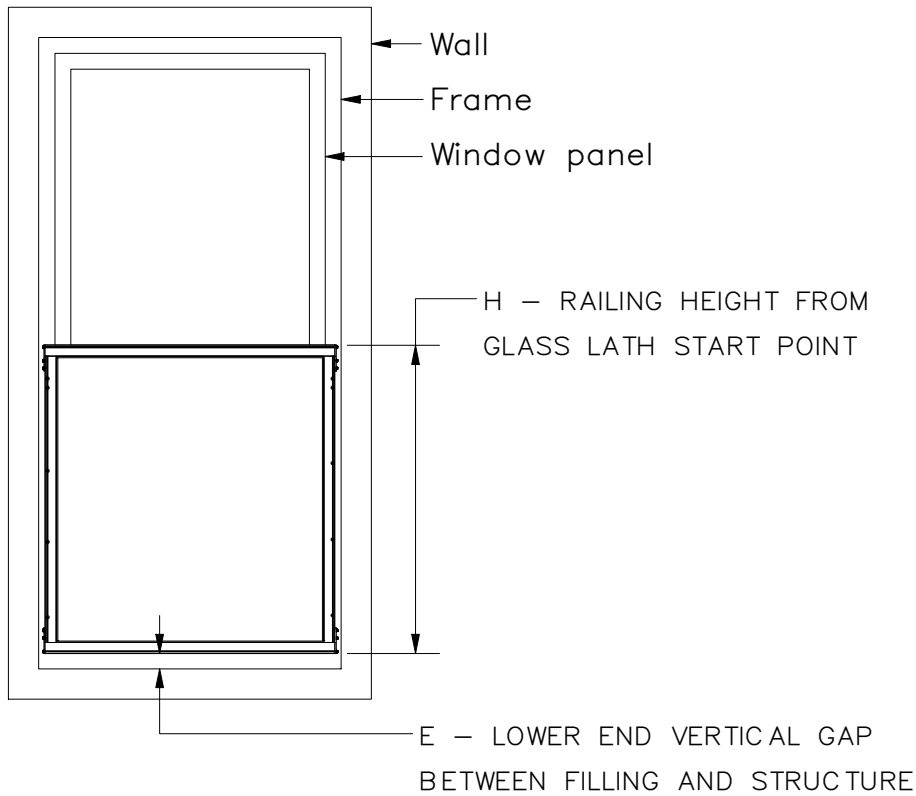


CAUTION

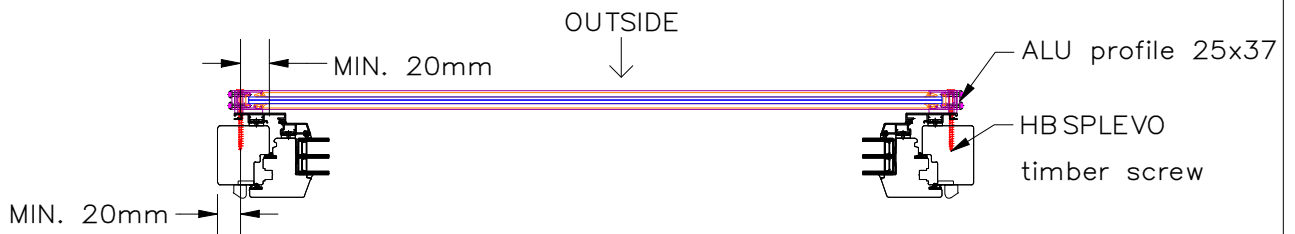
READ THE WHOLE INSTALLATION MANUAL BEFORE STARTING.

- It is easy to scratch and/or break glass panels, handle with care.
- Railings are powder coated, paint can be damaged if profiles are left on uneven surfaces and not handled properly.
- Balcony railing installations have to follow the requirements set by a country's legislation. Innore takes no responsibility of damage and casualties that have occurred due to non-compliant installation.
- Do not install during windy weather conditions. Glass railings are heavy in weight and bear a lot of wind due to a large surface area.
- Safety is number one priority when dealing with heights, always use personal protective equipment.

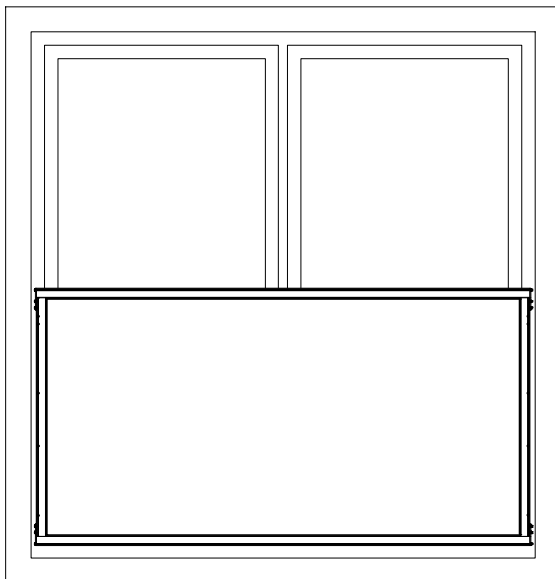
OVERALL MEASUREMENTS



	Norway	Finland	Estonia	Sweden	Denmark	Germany
H (m)	1 or 1.2	1 or 1.2	1 or 1.2	1.1	1 or 1.2	1 or 1.2
E (mm)	Max 100	Max 50	Max 50	Max 50	Max 100	Max 100



Make sure you are fastening at the right place, otherwise things might break.



Gotland comes in configurations for either 1 or 2 window panels.
 5 fasteners per side
 fastened to window frame
 Fastener 20mm from wall
 Fastener hole in vertical profile is 7mm

Maximum width of glass:

Tempered glass max. 2250mm

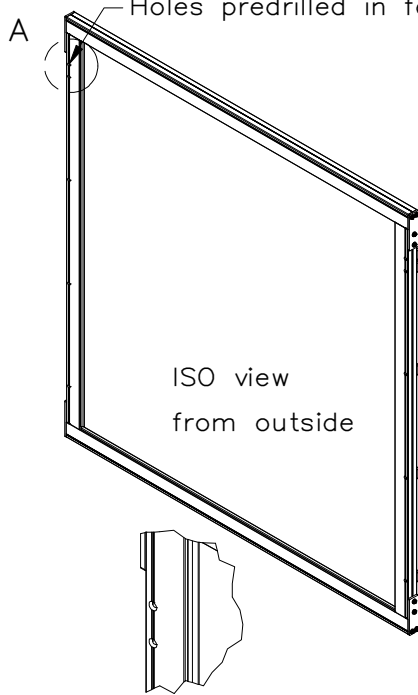
Laminated glass max. 1900mm

In case the window frame material is aluminium + wood use HBS PLATE EVO 5x80mm
 In case the window frame material is wood use HBS PLATE EVO 5x70mm

A Holes predrilled in factory



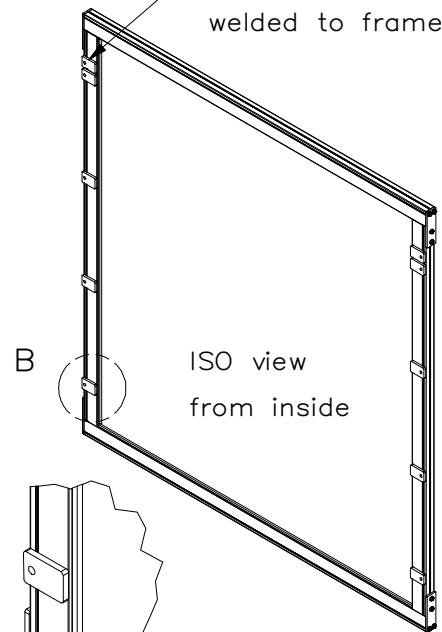
ROTHOBLAAS HBS
 PLATE EVO SCREW
 DATASHEETS AND
 INFORMATION



ISO view
 from outside

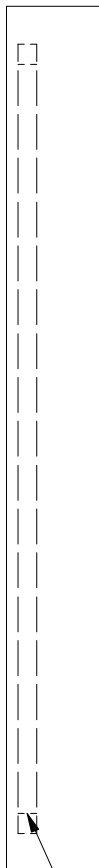
DETAIL A

25x37x5 plate,
 welded to frame

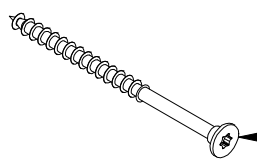


ISO view
 from inside

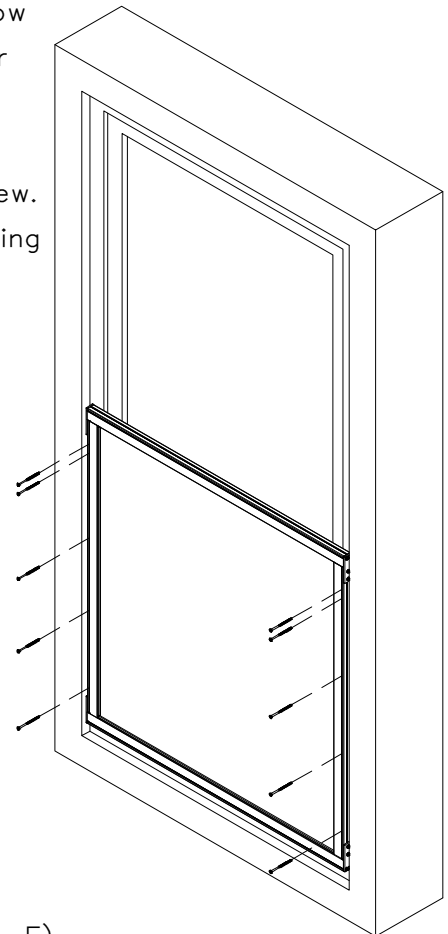
DETAIL B



Fasten screws through frame to window panel with fasteners according to your window panel material.
 Predrill $\varnothing 3$ holes to window frame.
 Holes must be predrilled for each screw.
 Use sealant for each screw, after drilling holes.



HBSP EVO screw,
 Fixing 25x37 frame
 to window frame



Highest point where you can step
 Vertical gap starting point. (See page 3 – E)

Enjoy your new Innore railing and stay safe!
Designed for safety, built to last.

Thank you for choosing Innore railing systems – Your Innore railing is designed and manufactured in Estonia with a focus on safety, durability, and timeless design.

Keep your railing in perfect condition:

- Clean regularly with mild detergent and water.
- Check fasteners and joints periodically.
- Avoid harsh chemicals or abrasive cleaners.
- Follow detailed steps in the Maintenance Guide.

For detailed information, see:

Maintenance Guide:

If you have any questions or need assistance, don't hesitate to contact us:

Email: info@innore.ee

Website: www.innore.eu

We're here to help you keep your railing safe, beautiful, and long-lasting.
Stay safe – and enjoy your view!

