

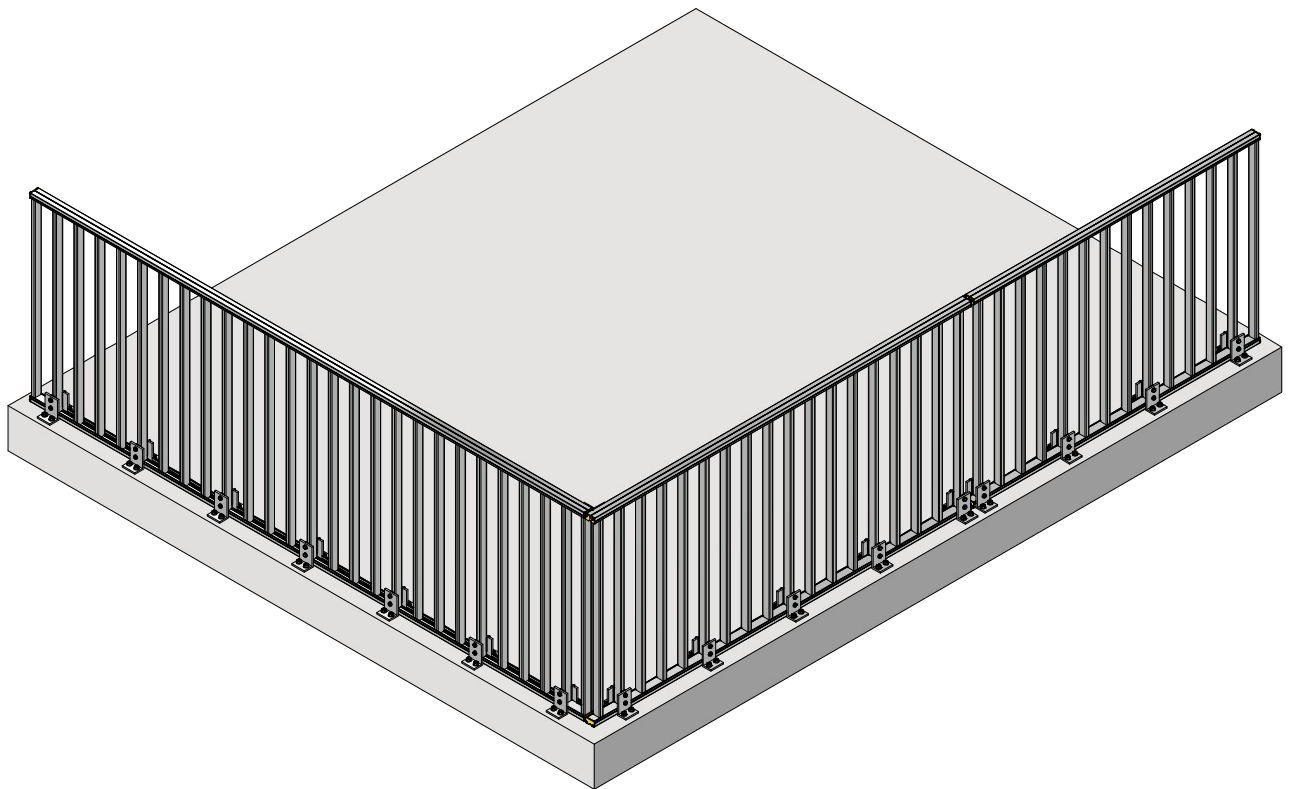
BALCONY RAILING

MOLDE

TOP

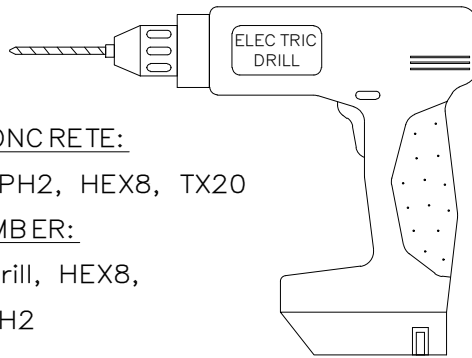
MOUNTED

INSTALLATION MANUAL

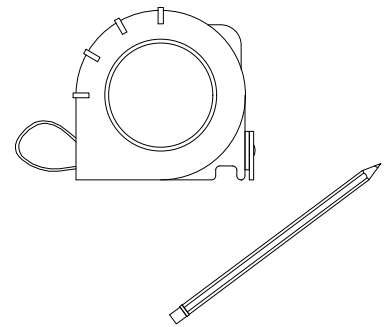


INNOR 

NECESSARY AND ADDITIONAL HELPFUL ITEMS FOR INSTALLATION:



Drillbits for CONCRETE:
 SDS plus M8, PH2, HEX8, TX20
 Drillbits for TIMBER:
 Ø5mm wood drill, HEX8,
 TX40, TX20, PH2

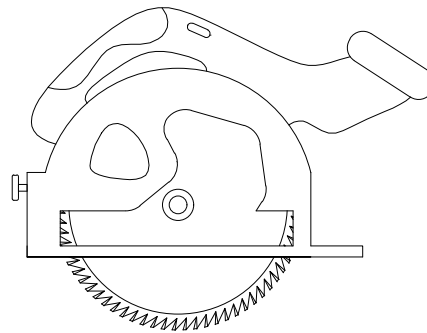


Measuring tape & pencil

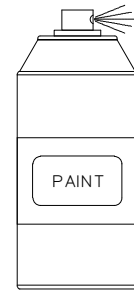
Electric drill for TIMBER
 Hammer drill for CONCRETE



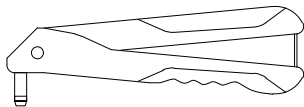
Soapy water spray
 (Optional)



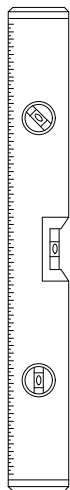
Angular saw
 cold cut



Repair paint
 (Optional)



Riveting pliers

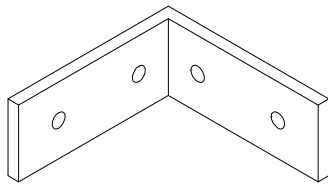


Level

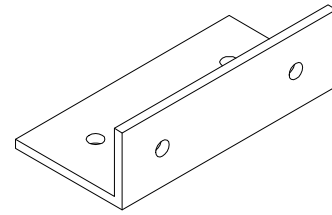
CAUTION

- READ THE WHOLE INSTALLATION MANUAL BEFORE STARTING.
- Handle all parts with care – aluminium frames can bend or scratch easily.
- Railings are powder coated, paint can be damaged if profiles are left on uneven surfaces and not handled properly.
- Balcony railing installations have to follow the requirements set by a country's legislation. Innore takes no responsibility of damage and casualties that have occurred due to non-compliant installation.
- Do not install during windy weather conditions.
- Safety is number one priority when dealing with heights, always use personal protective equipment.

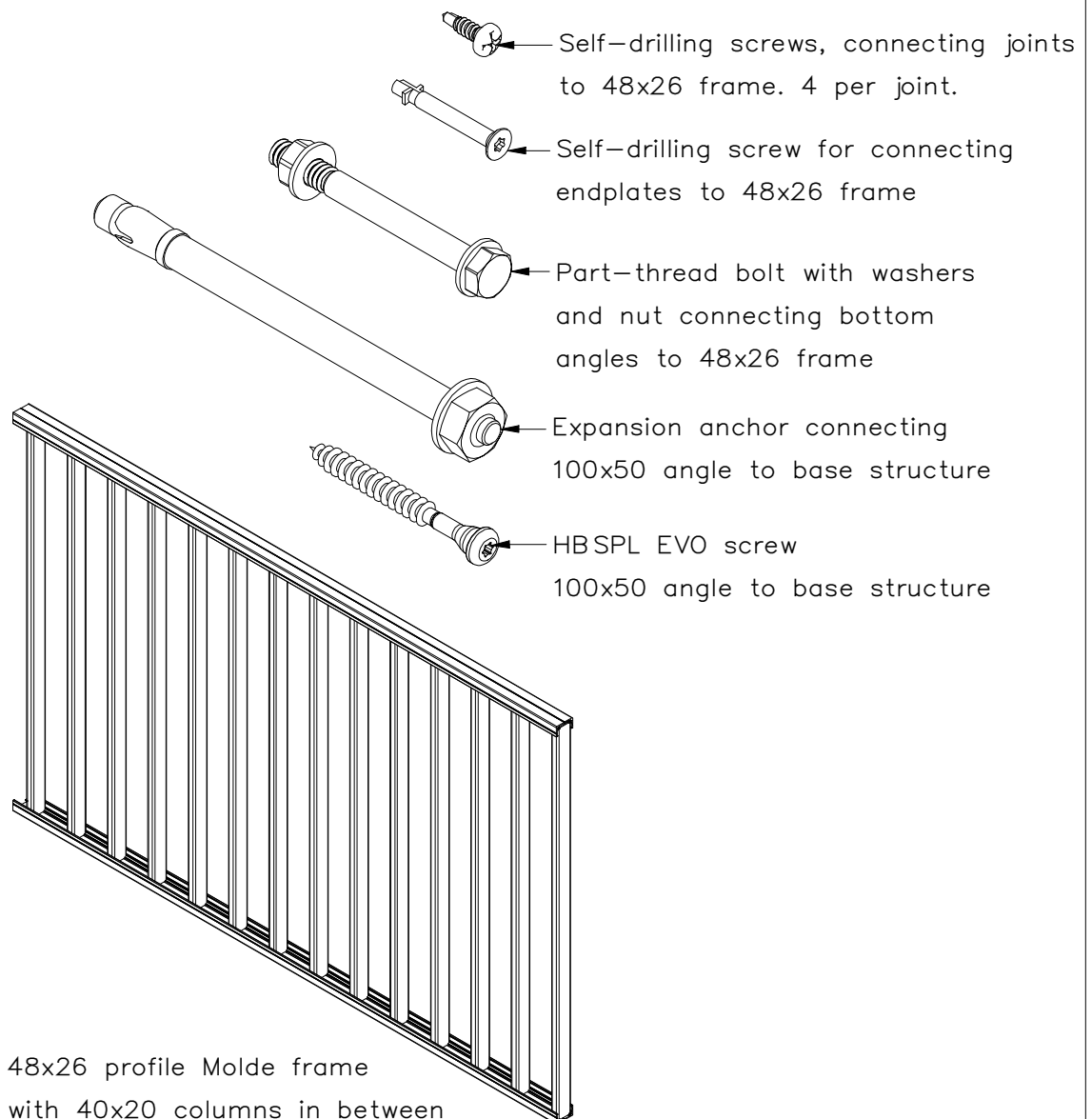
LIST OF DIFFERENT COMPONENTS:



Angle bracket, connecting 2
48x26 frames in balcony **corner**



Angle bracket, connecting 2
48x26 frames in the **middle** of balcony



Self-drilling screws, connecting joints
to 48x26 frame. 4 per joint.

Self-drilling screw for connecting
endplates to 48x26 frame

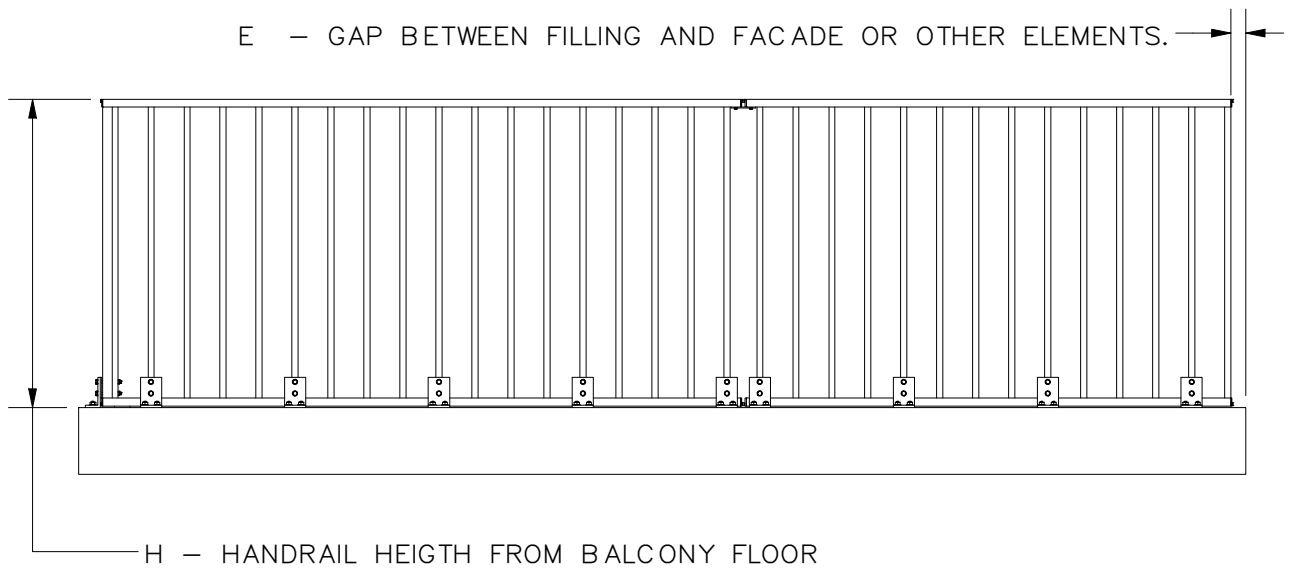
Part-thread bolt with washers
and nut connecting bottom
angles to 48x26 frame

Expansion anchor connecting
100x50 angle to base structure

HBSPL EVO screw
100x50 angle to base structure

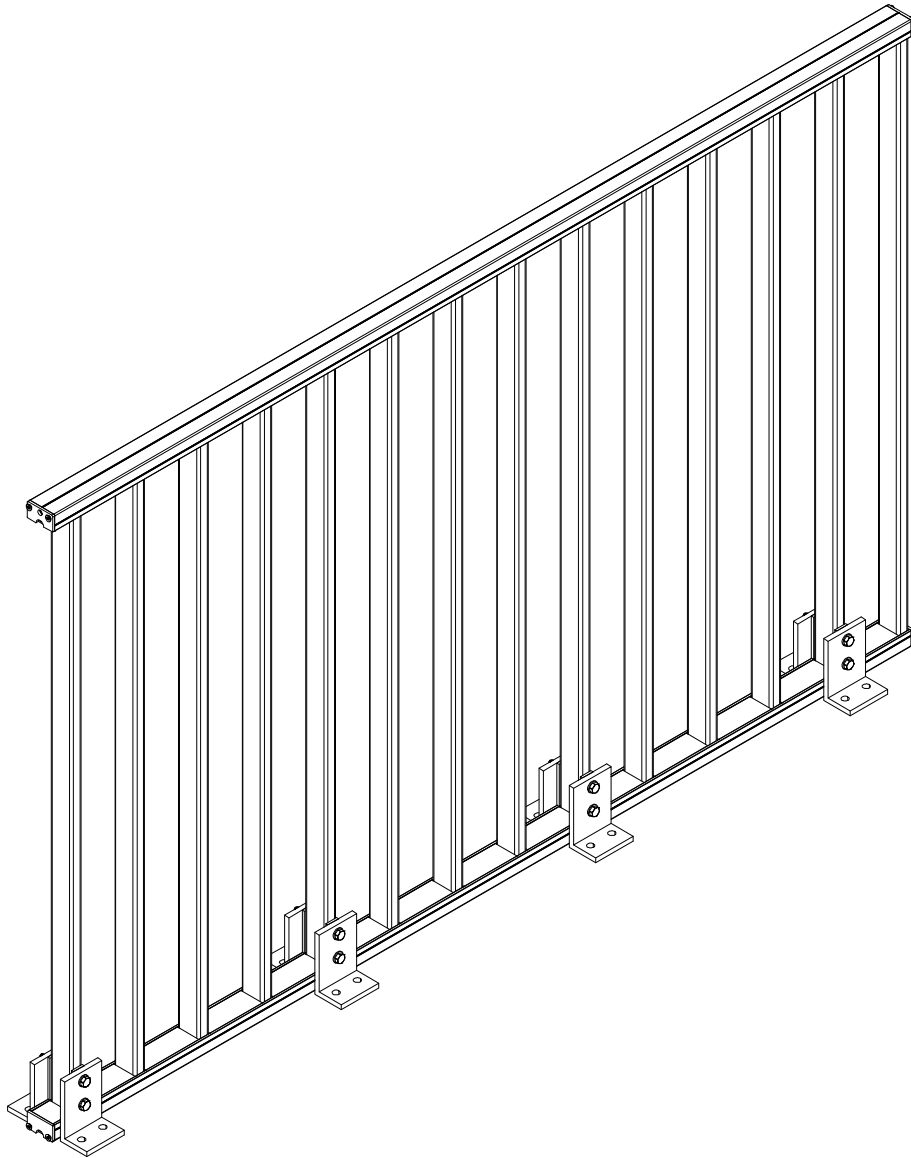
48x26 profile Molde frame
with 40x20 columns in between

OVERALL REGULATIONS



	Norway	Finland	Estonia	Sweden	Denmark	Germany
H (m)	1 or 1.2	1 or 1.2	1 or 1.2	1.1	1 or 1.2	1 or 1.2
E (mm)	Max 100	Max 50	Max 50	Max 50	Max 100	Max 100

48x26 Molde frames with endplates and 100x50 angle brackets with distance profiles to fasten to balcony have been already put together.



Fasten frame with angle brackets to base structure with fasteners according to your project.

Use a level to get the best outcome.

TIMBER



*ROTHOBLAAS HBS
PLATE EVO SCREW
DATASHEETS AND
INFORMATION*

CONCRETE



*HILTI HSA-R WEDGE
ANCHOR
DATASHEETS AND
INFORMATION*

INNOR

PRODUCT:
MOLDE TOP

SHEET NAME:
FASTENERS

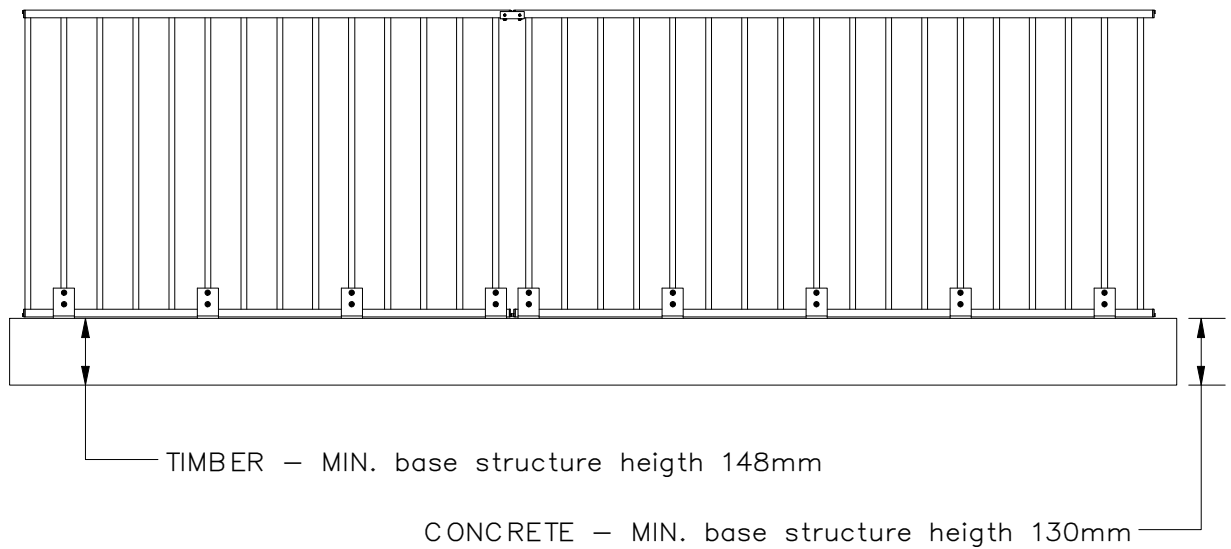
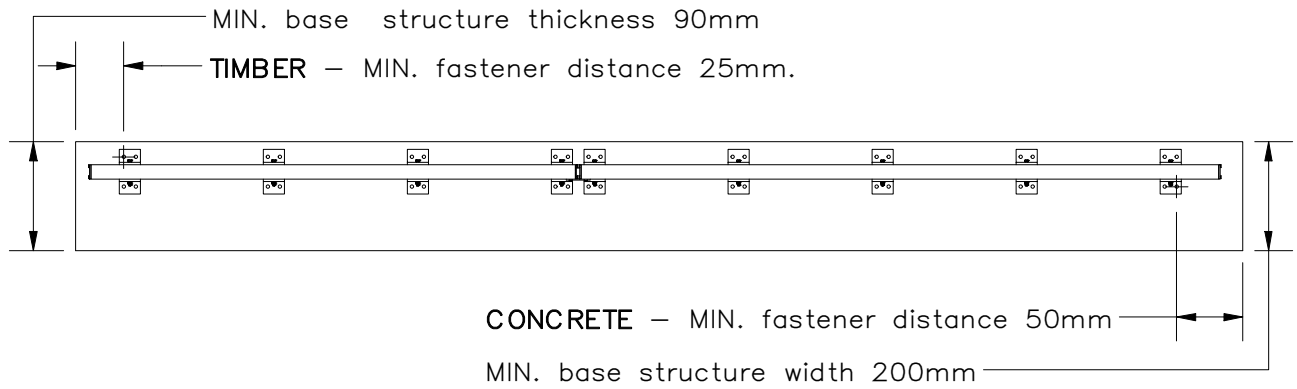
DATE:

PAGE:
5

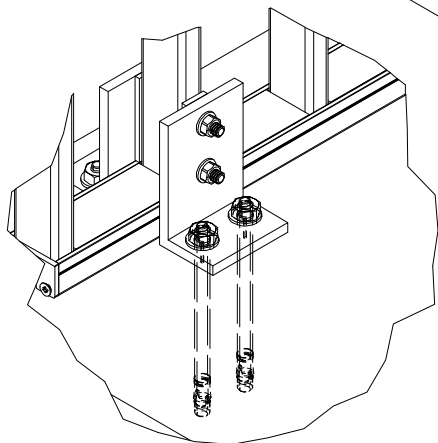
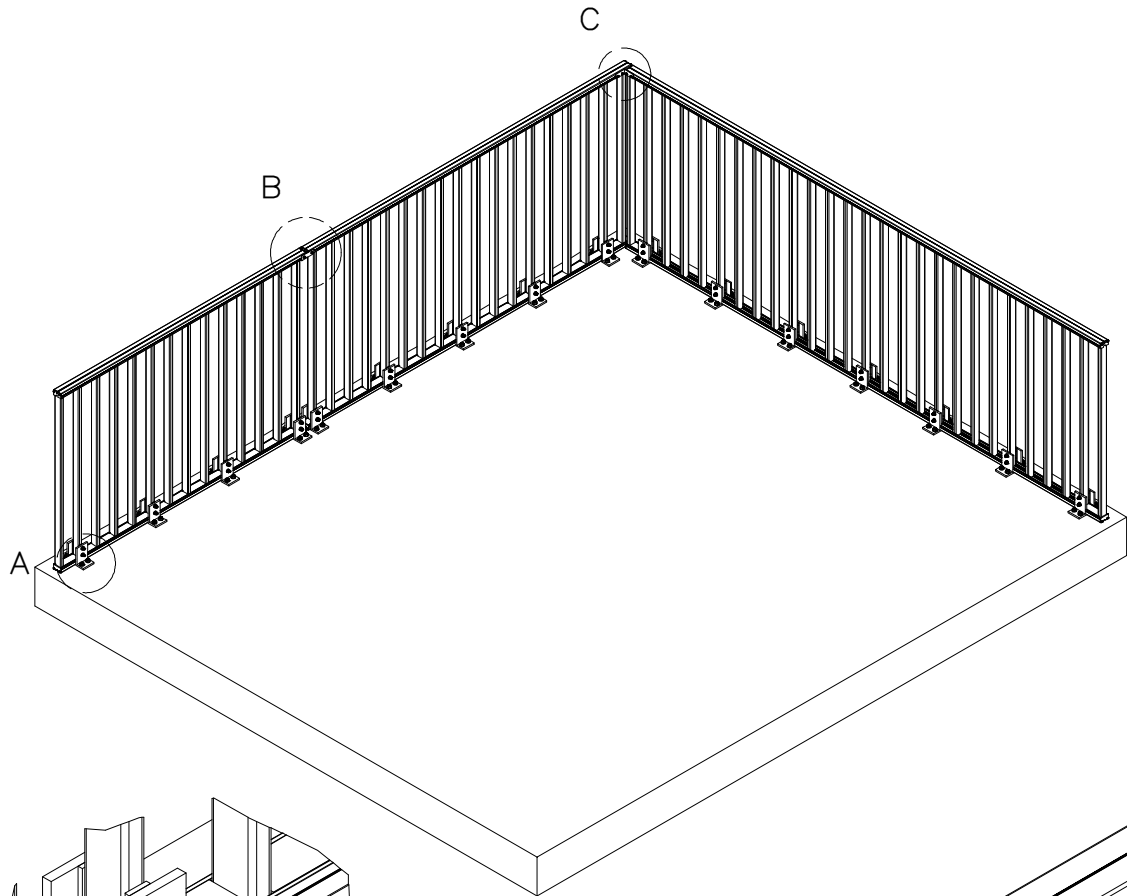
VERSION:

FORMAT:
A4

MEASUREMENTS

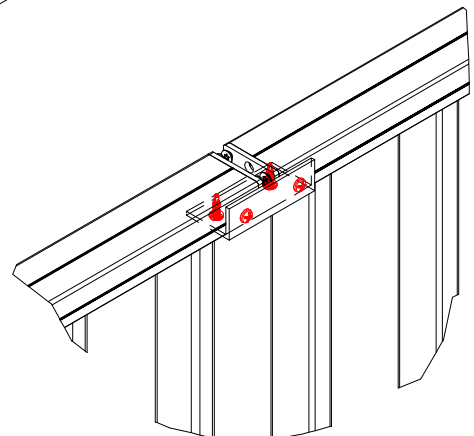


CONNECTIONS



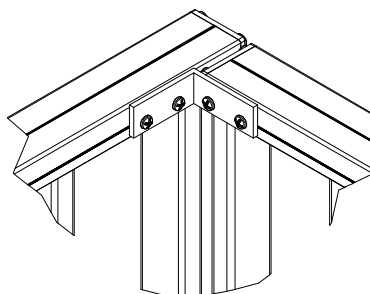
DETAIL A

Expansion anchors (in case of concrete base) connecting frame with angle brackets to base structure



DETAIL B

Angle bracket in between frames is connected with 4 self-drilling screws to the frame to stiffen the whole structure.



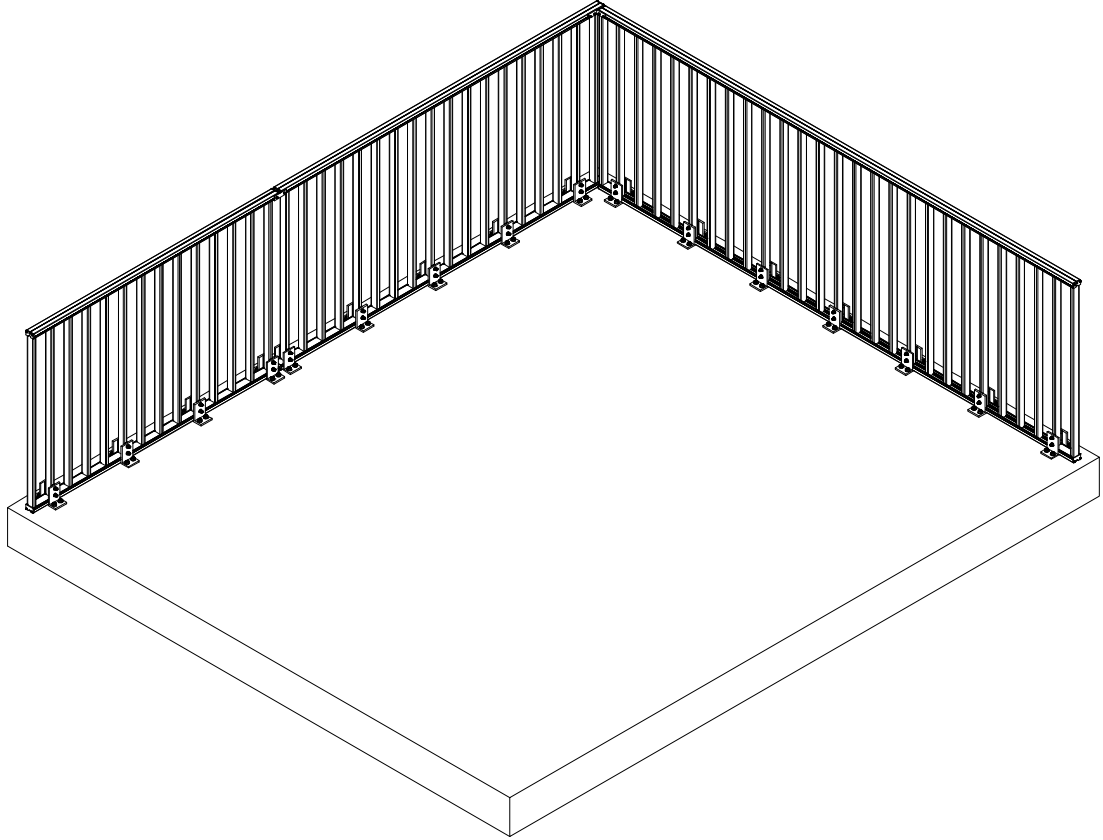
DETAIL C

Angle bracket between frames in the corner of the balcony is connected with 4 self-drilling screws to the frame to stiffen the whole structure.

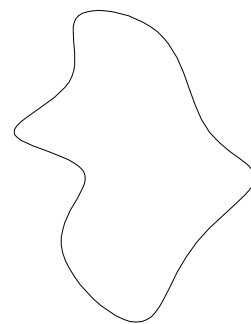
FINISH THE BALCONY ASSEMBLY

Clean railing with microfiber cloth.

If any damage has occurred during installation to painted parts, repair paint with correct ral code can be used!



RE-PAIN T IF NEEDED



CLEAN THE ASSEMBLY

Enjoy your new Innore railing and stay safe!
Designed for safety, built to last.

Thank you for choosing Innore railing systems – Your Innore railing is designed and manufactured in Estonia with a focus on safety, durability, and timeless design.

Keep your railing in perfect condition:

- Clean regularly with mild detergent and water.
- Check fasteners and joints periodically.
- Avoid harsh chemicals or abrasive cleaners.
- Follow detailed steps in the Maintenance Guide.

For detailed information, see:

Maintenance Guide:

If you have any questions or need assistance, don't hesitate to contact us:

Email: info@innore.ee

Website: www.innore.eu

We're here to help you keep your railing safe, beautiful, and long-lasting.
Stay safe – and enjoy your view!

