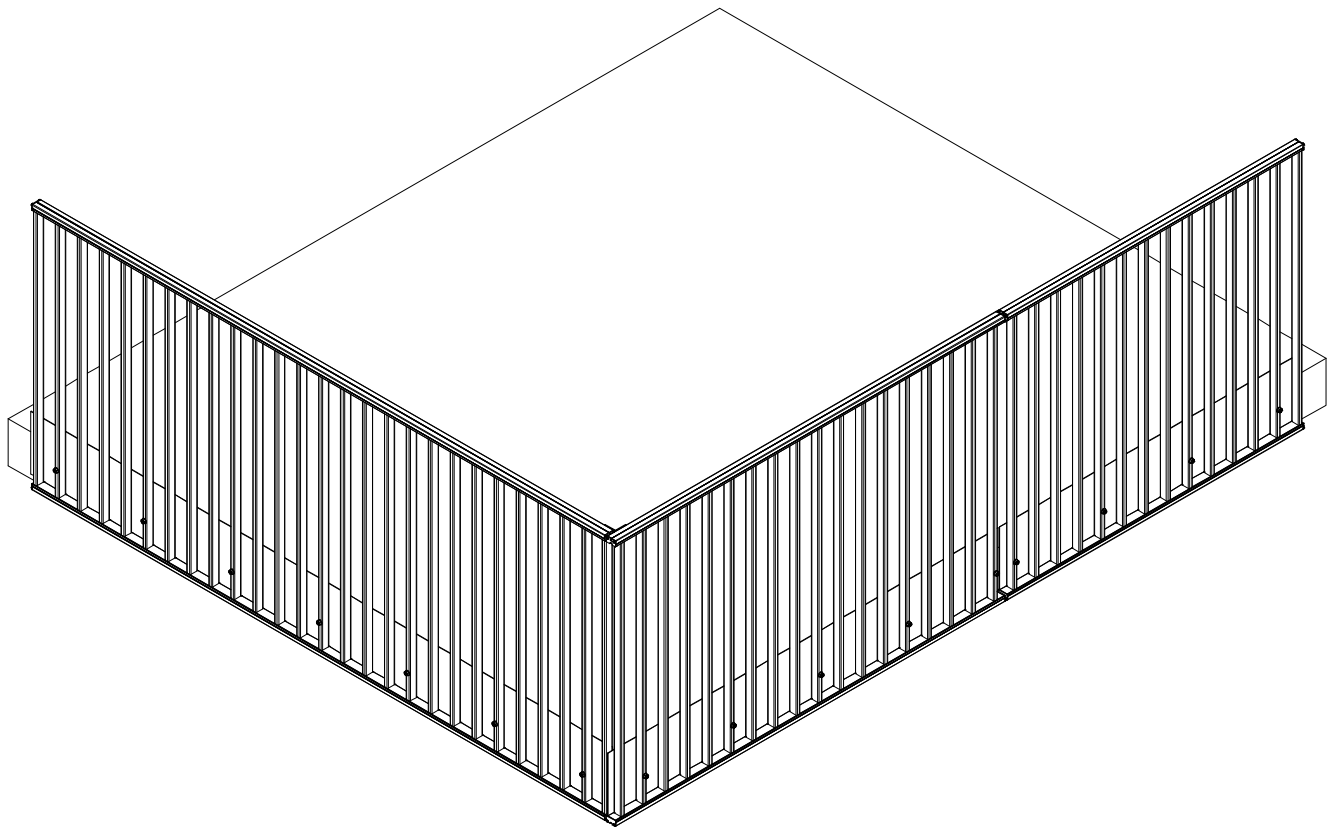


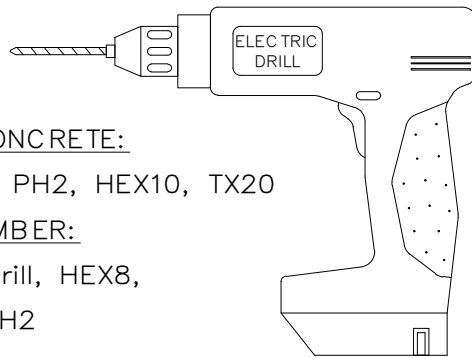
BALCONY RAILING

MOLDE SIDE MOUNTED

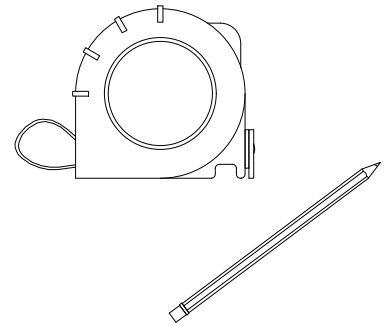
INSTALLATION MANUAL



NECESSARY AND ADDITIONAL HELPFUL ITEMS FOR INSTALLATION:



Drillbits for CONCRETE:
 SDS plus M10, PH2, HEX10, TX20
 Drillbits for TIMBER:
 Ø5mm wood drill, HEX8,
 TX40, TX20, PH2

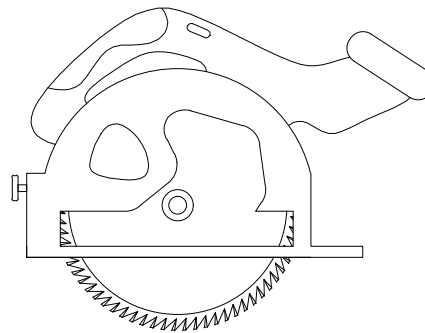


Electric drill for TIMBER
 Hammer drill for CONCRETE

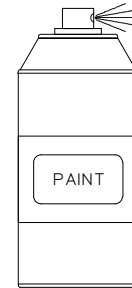
Measuring tape & pencil



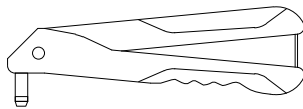
Soapy water spray
 (Optional)



Angular saw
 cold cut



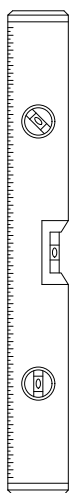
Repair paint
 (Optional)



Riveting pliers



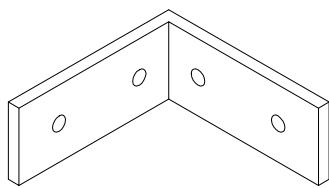
CAUTION



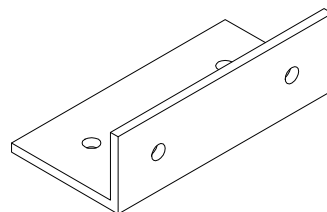
Level

- **READ THE WHOLE INSTALLATION MANUAL BEFORE STARTING.**
- Handle all parts with care – aluminium frames can bend or scratch easily.
- Railings are powder coated, paint can be damaged if profiles are left on uneven surfaces and not handled properly.
- Balcony railing installations have to follow the requirements set by a country's legislation. Innore takes no responsibility of damage and casualties that have occurred due to non-compliant installation.
- Do not install during windy weather conditions.
- Safety is number one priority when dealing with heights, always use personal protective equipment.

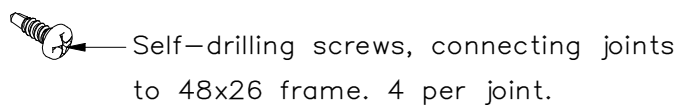
LIST OF DIFFERENT COMPONENTS:



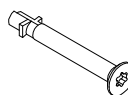
Angle bracket, connecting 2
48x26 frames in balcony **corner**



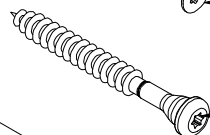
Angle bracket, connecting 2
48x26 frames in the **middle** of balcony



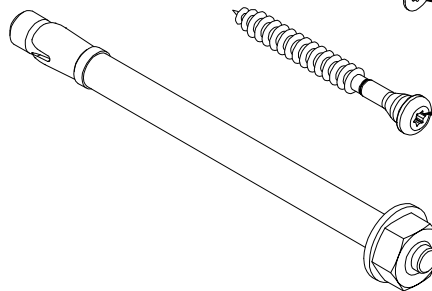
Self-drilling screws, connecting joints
to 48x26 frame. 4 per joint.



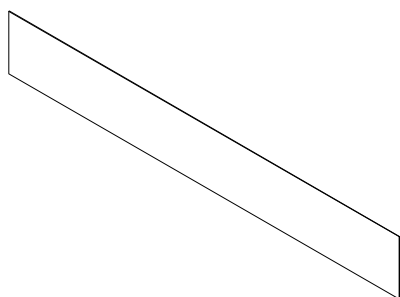
Self-drilling screw for connecting
endplates to 48x26 frame



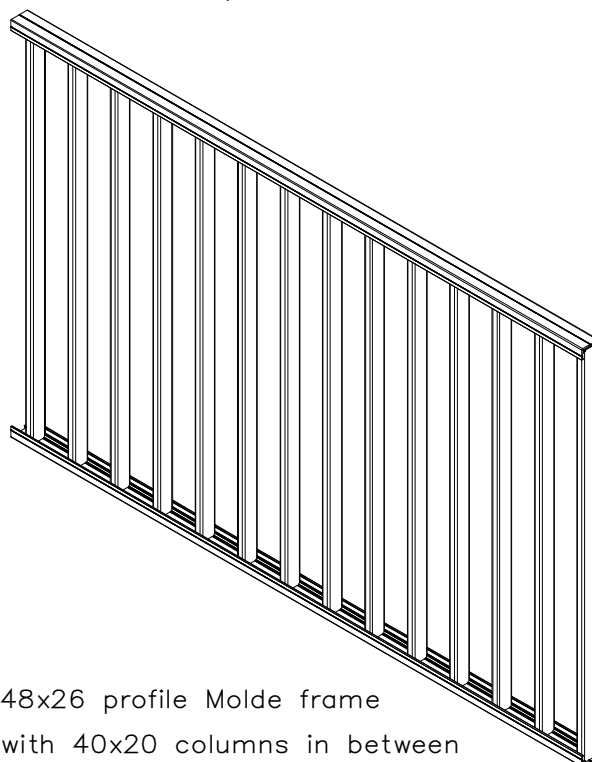
HBSPL EVO screw
connecting profile to base structure



Expansion anchor connecting
profile to base structure

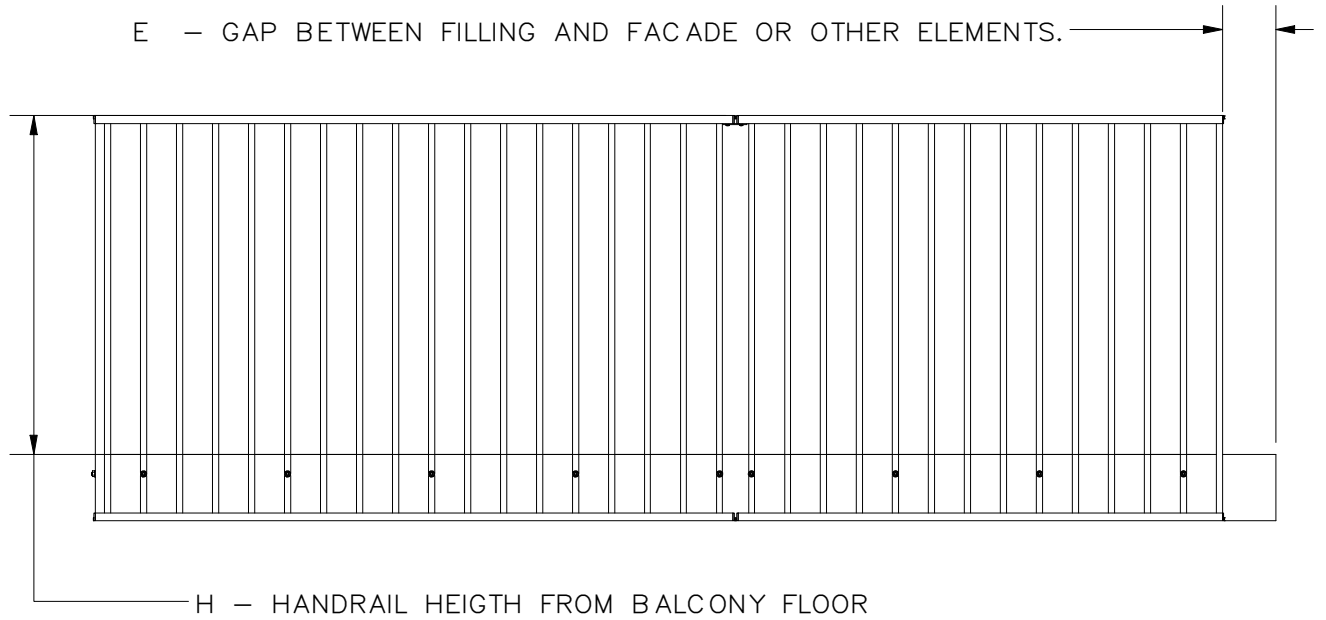


Optional 1.5mm sheet cover
between frame and distance
profile



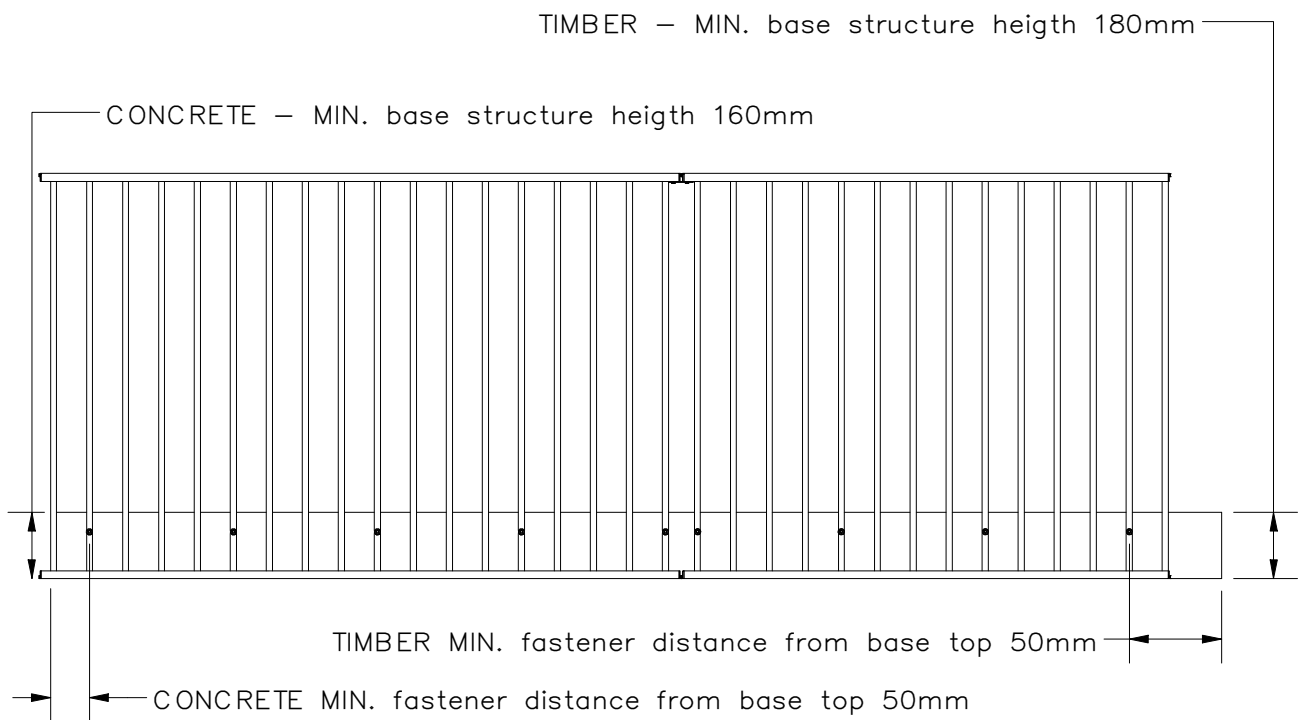
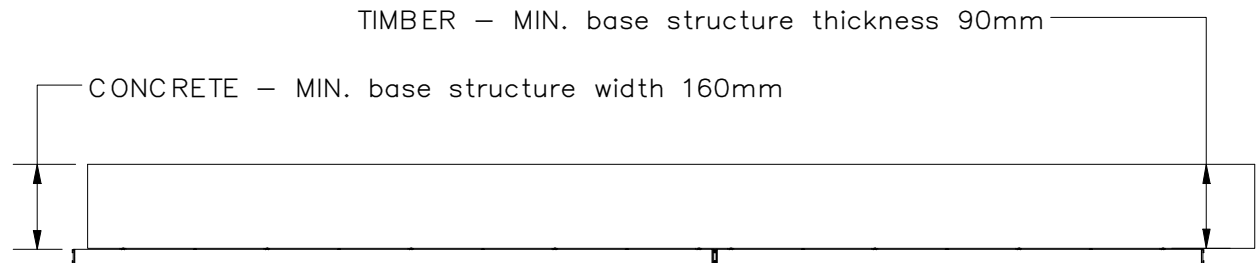
48x26 profile Molde frame
with 40x20 columns in between

OVERALL REGULATIONS



	Norway	Finland	Estonia	Sweden	Denmark	Germany
H (m)	1 or 1.2	1 or 1.2	1 or 1.2	1.1	1 or 1.2	1 or 1.2
E (mm)	Max 100	Max 50	Max 50	Max 50	Max 100	Max 100

MEASUREMENTS



There is option to get side mounted frames with sheet cover or without sheet cover.
 6x20 distance profiles and sheet cover are already put together at the factory.

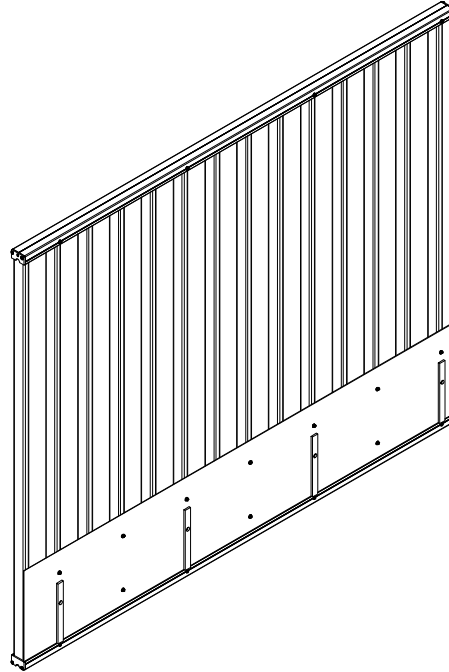
STEP 1. MARK FASTENER LOCATIONS TO BALCONY

Important: ensure all fixing holes follow the handrail height.

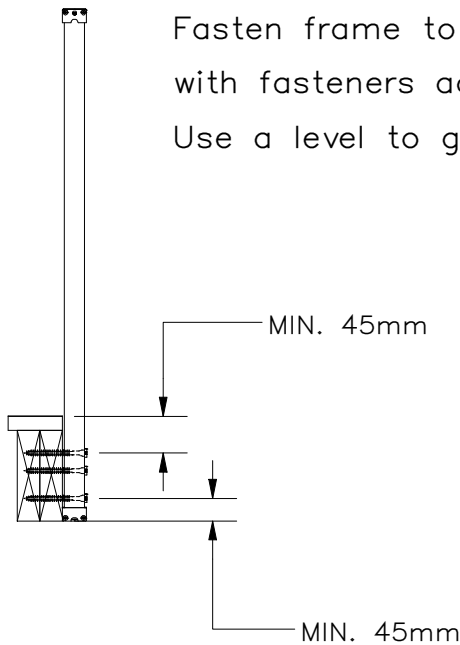
If the base surface is not even, the railing will not be straight.

Typically, the lowest point is measured first,

and the same level is then marked across balcony with a laser.



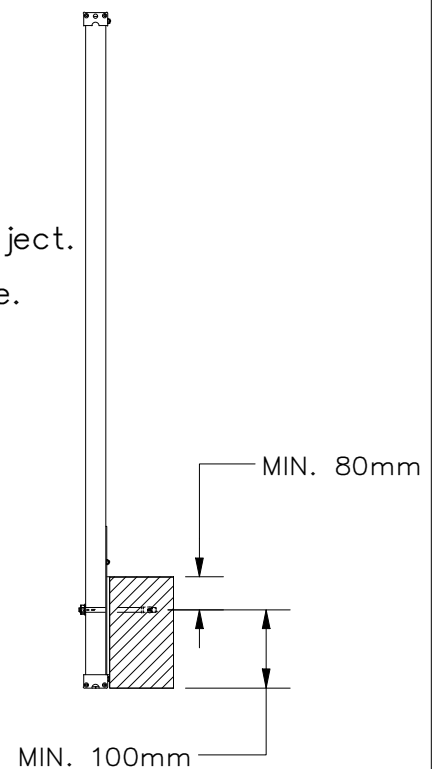
Fasten frame to base structure
 with fasteners according to your project.
 Use a level to get the best outcome.



TIMBER



ROTHOBLAAS HBS
 PLATE EVO SCREW
 DATASHEETS AND
 INFORMATION



CONCRETE

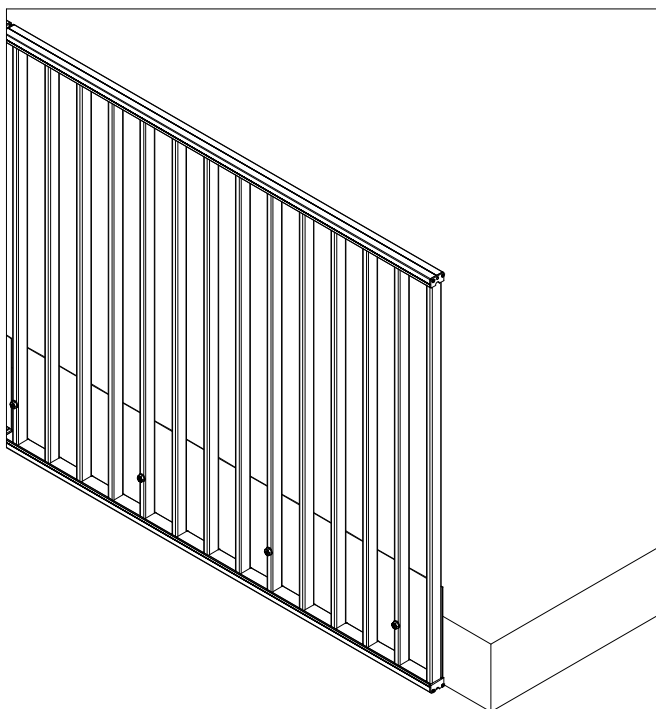
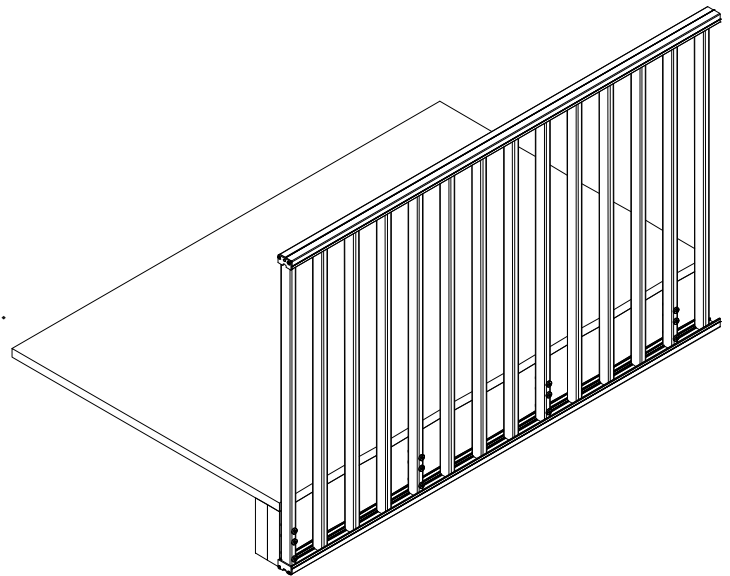


HILTI HSA-R WEDGE
 ANCHOR
 DATASHEETS AND
 INFORMATION

STEP 2. FIX 26x48 MOLDE FRAMES TO BASE STRUCTURE.

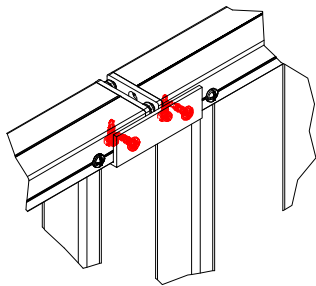
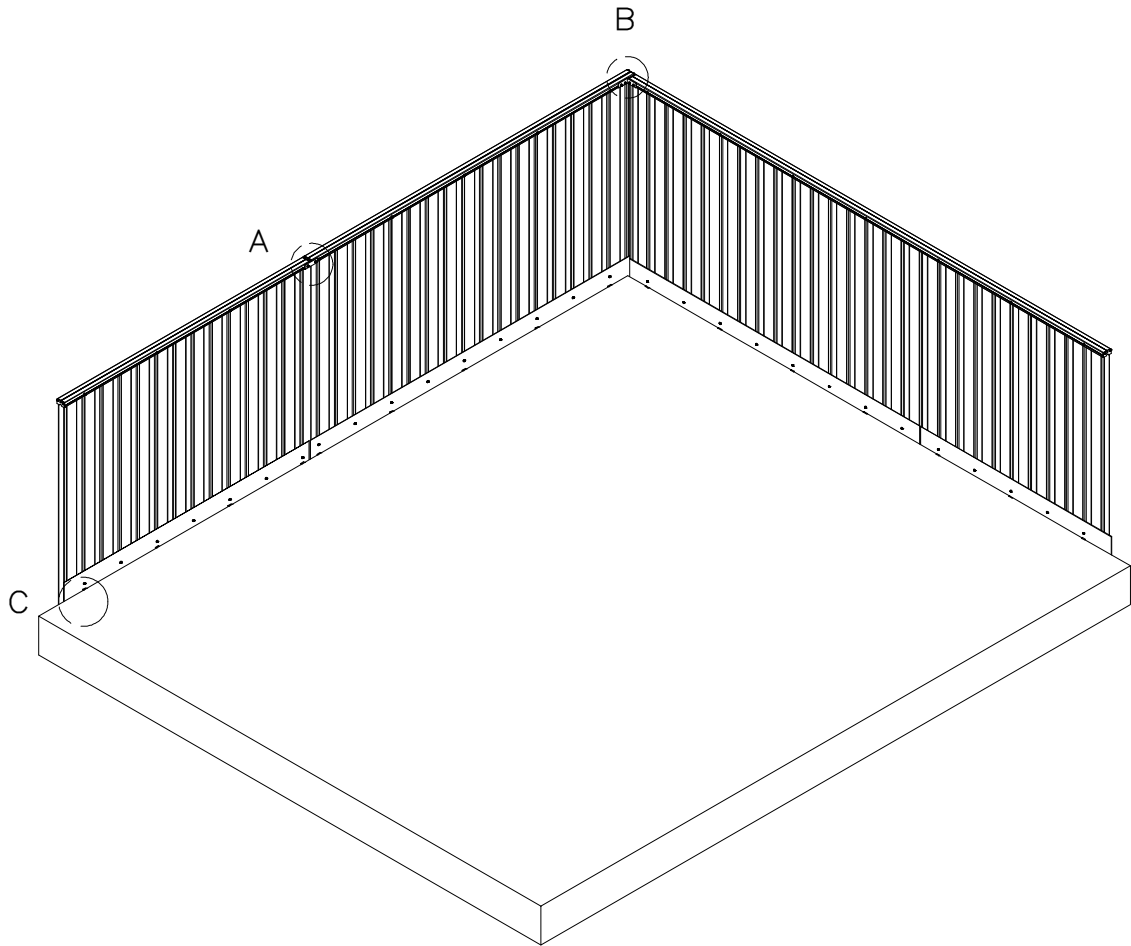
1. Molde frame has already been assembled according to ordered dimensions.
2. It is recommended to have an assistant for this step, or use distance blocks when fastening the frame to base structure.
3. Follow the height given from configurator and your calculations to position the railing at the correct height.
4. Use either expansion anchor or HBS EVO screw to connect frame to base structure.

TIMBER – Predrill holes
Ø5 and use roof sealant.



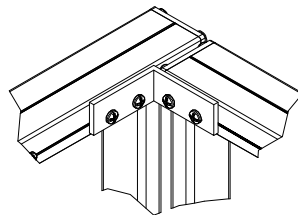
CONCRETE

CONNECTIONS



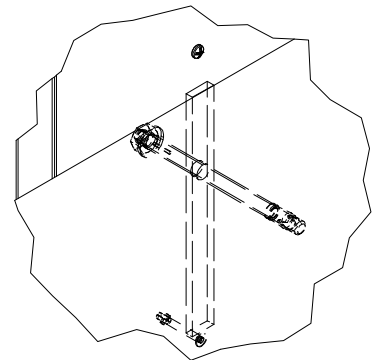
DETAIL A

Angle bracket in between frames is connected with 4 self-drilling screws to the frame to stiffen the whole structure.



DETAIL B

Angle bracket in between of frames in the corner is connected with 4 self-drilling screws to the frame to stiffen the whole structure.



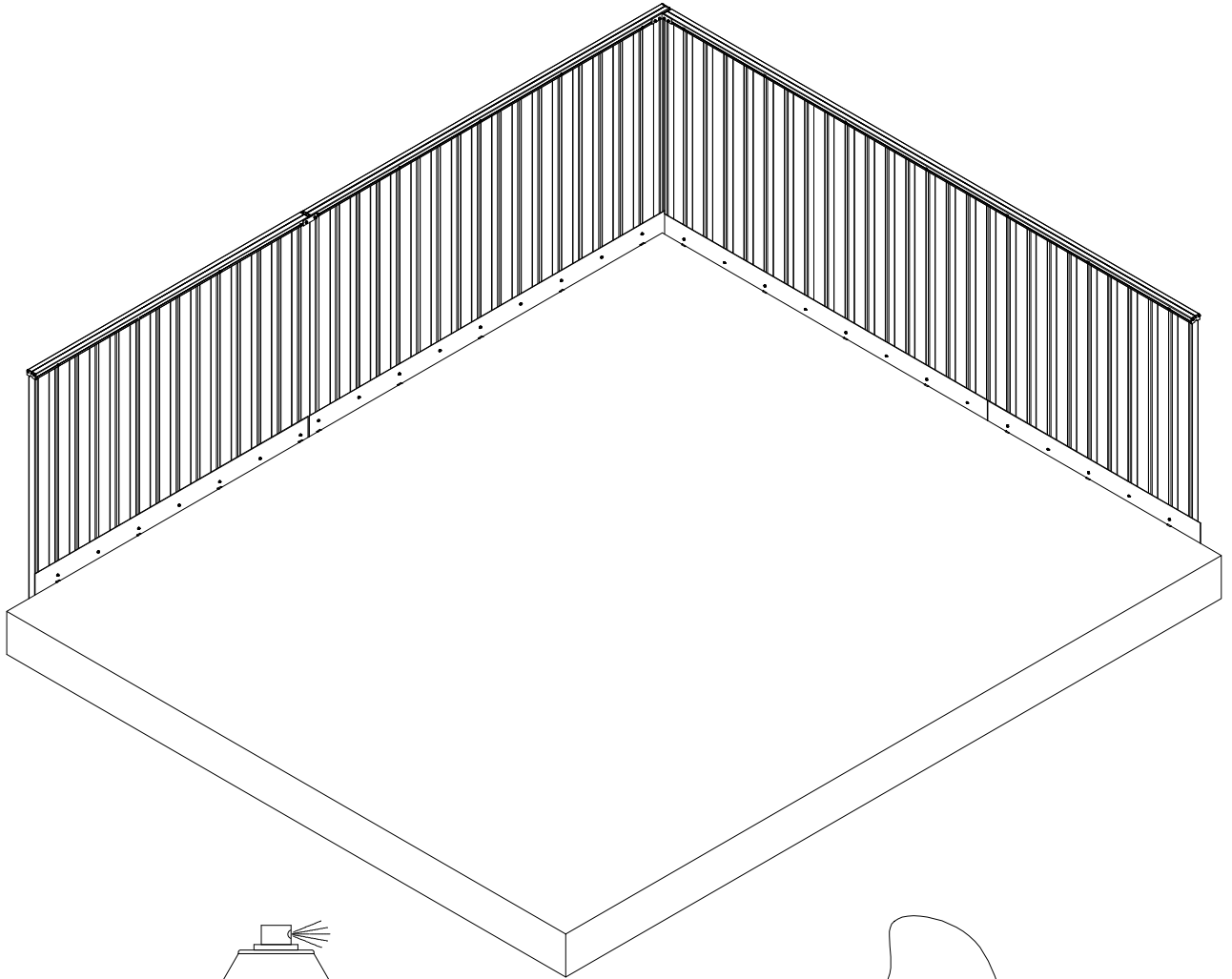
DETAIL C

Expansion anchors (in case of concrete base) connecting frame to base structure

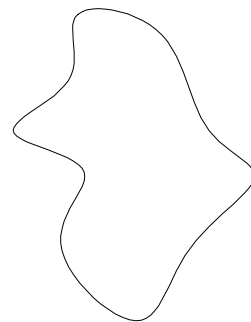
FINISH THE BALCONY ASSEMBLY

Clean railing with microfiber cloth.

If any damage has occurred during installation to painted parts, repair paint with correct ral code can be used!



RE-PAINT IF NEEDED



CLEAN THE ASSEMBLY

Enjoy your new Innore railing and stay safe!
Designed for safety, built to last.

Thank you for choosing Innore railing systems – Your Innore railing is designed and manufactured in Estonia with a focus on safety, durability, and timeless design.

Keep your railing in perfect condition:

- Clean regularly with mild detergent and water.
- Check fasteners and joints periodically.
- Avoid harsh chemicals or abrasive cleaners.
- Follow detailed steps in the Maintenance Guide.

For detailed information, see:

Maintenance Guide:

If you have any questions or need assistance, don't hesitate to contact us:

Email: info@innore.ee

Website: www.innore.eu

We're here to help you keep your railing safe, beautiful, and long-lasting.
Stay safe – and enjoy your view!

